



PROFILSYSTEM[®]

Give life to your project

Baffle



Baffle



Description

Baffle is a product created to respond to a particular design requirement.

The joint system on the cross-piece is practical both for the installation and during the inspection.

There is the possibility to manage the gap.
In this way Baffle guarantees an extreme combinability with various integrated lighting proposals.

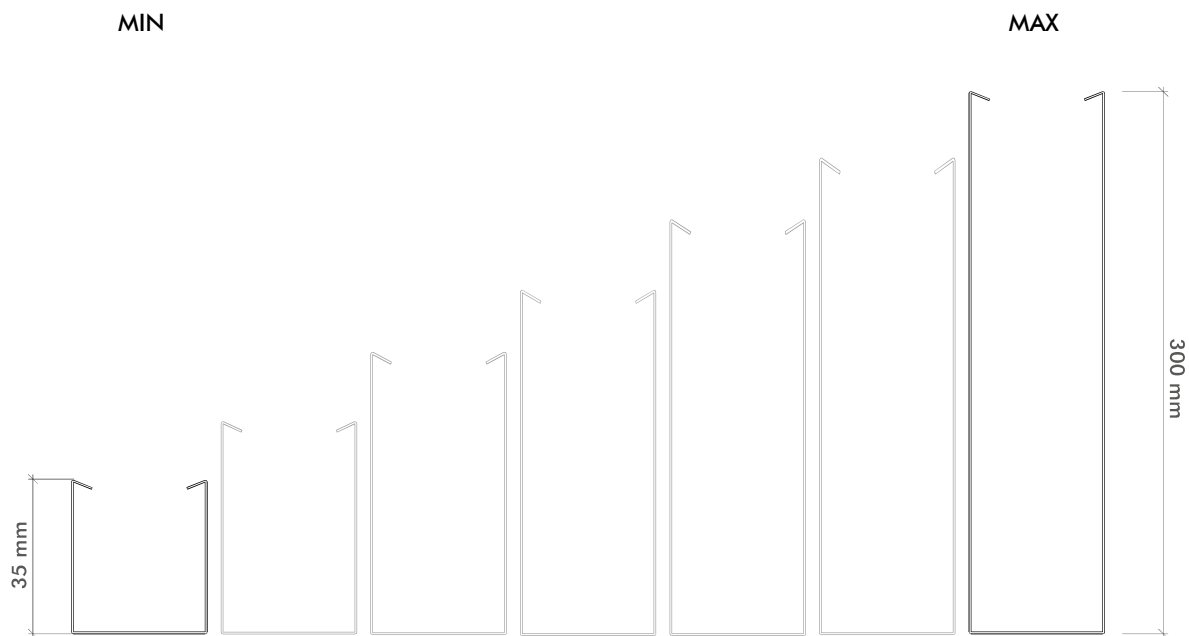
Baffle is available in different colours and also in different wood finishes.

Main features

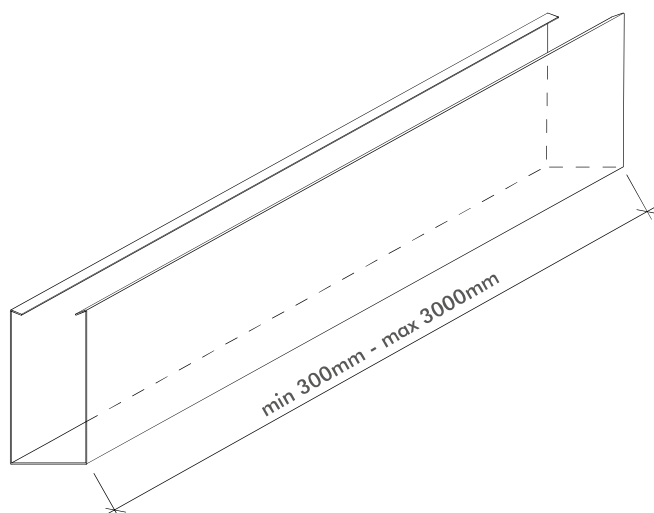
Dimensions	Base: 30 mm, 35 mm, 40 mm, 50 mm (custom sizes on request)
Height	Variable: min 50 mm; max 300 mm (custom sizes on request)
Gap	Variable 20 mm (L=30 mm) 15 mm (L=35 mm) (custom sizes on request)
Material e Colour	-Coil coated steel: 9010, 9003, 9006, similar wooden finishes (custom colour on request) -Coil coated Aluminum 9003, 9006, similar wooden finishes (custom colours on request)

Dimensions

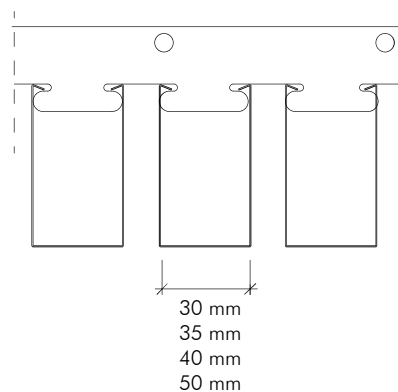
Height



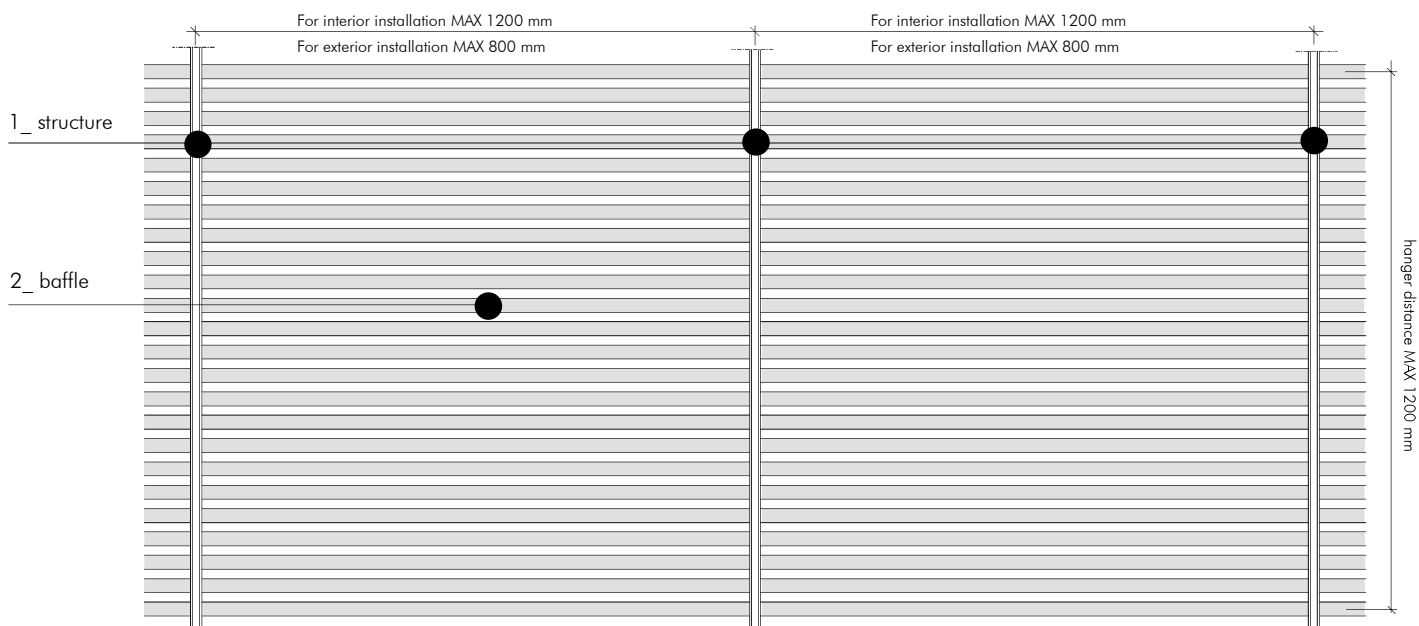
Lenght



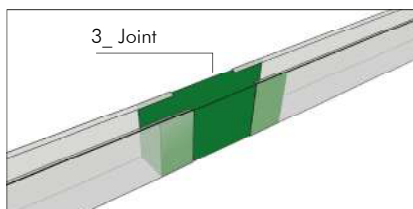
Base



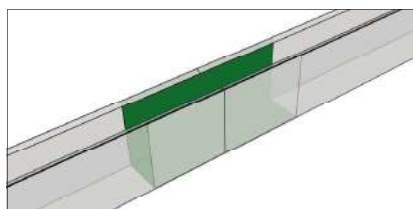
Elements



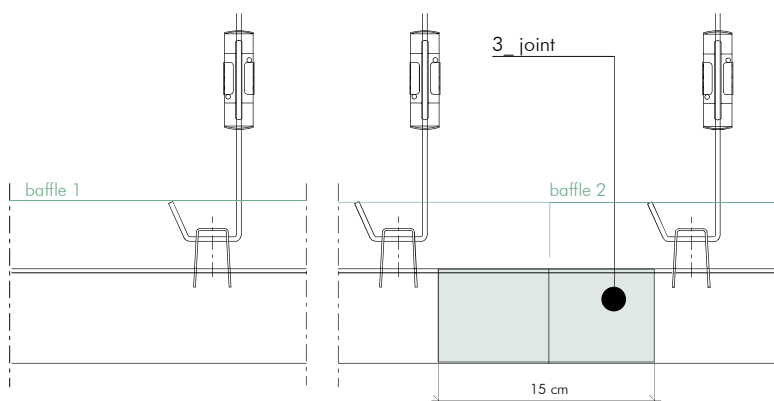
NOTE: whellbases indicated are valid for the material mounted in closed rooms. Whellbases are valid considering the exclusive weight of the ceiling. These data are to be considered indicative and must be evaluated with reference to the specific order, with reference to the material identified for profiles and for planks and the relative thickness.



FASE 1:
Joint mounting



FASE 2
Joint positioned and closed planks

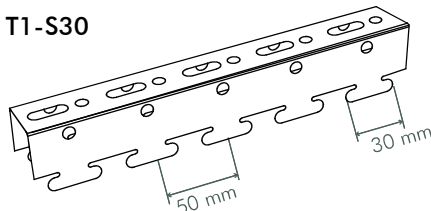


Structure

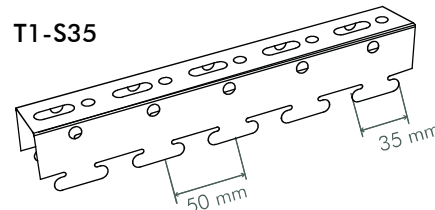
STANDARD T1-S30 and T1-S35

STANDARD T1-S30 and **T1-S35** are suitable for Baffles with a maximum height of up to 80 mm. For greater heights use T1 special. The T1-S30 and T1-S35 structure have a fixed pitch of 50 mm.

T1-S30



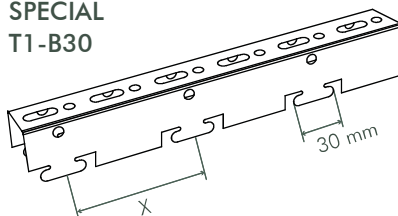
T1-S35



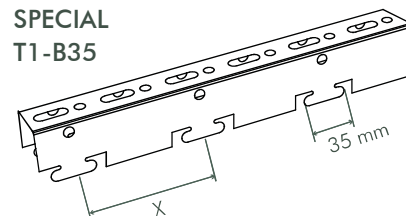
SPECIAL T1-B30 and T1-B35

The **SPECIAL T1-B30** and **T1-B35** can be customized in the step size to adapt to all types of projects. They are also suitable for Baffles with a maximum height of up to 80 mm. For greater heights use the special crosspieces

SPECIAL
T1-B30



SPECIAL
T1-B35



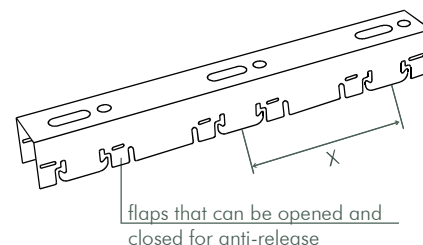
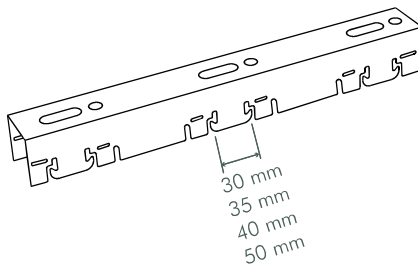
ANTI-RELEASE B30, B35, B40 AND B50

B30, B35, B40 and **B50 ANTI-RELEASE** structure is ideal for all Baffle heights.

The special toothed shape with lifting and lowering flaps allows the baffle to remain firmly locked to the structure.

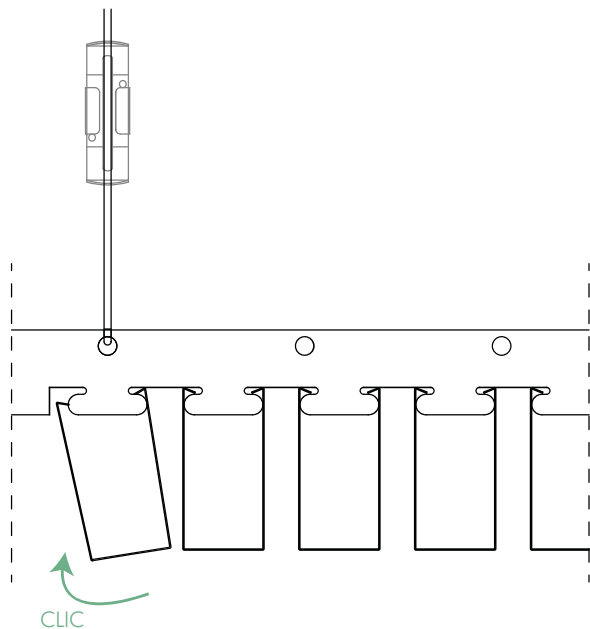
This type of structure is ideal for impact risk ceilings, for indoors and outdoors.

The ANTI-RELEASE B30 and B35 have a customizable pitch.

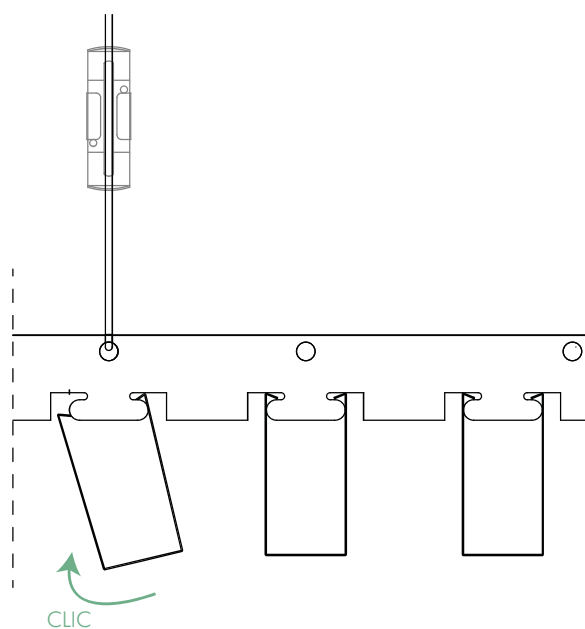


Mounting system

STANDARD T1-S30 and T1-S35

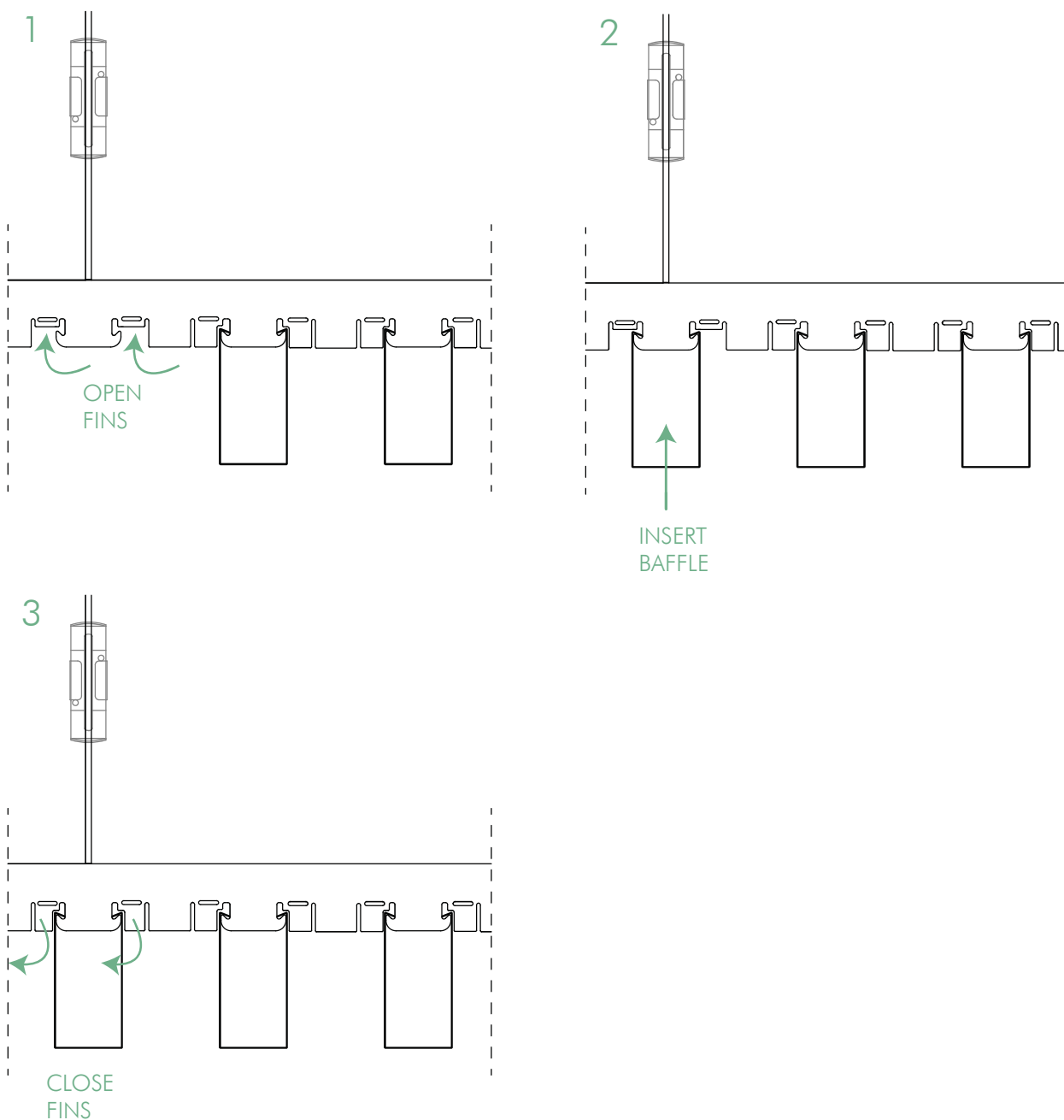


SPECIAL T1-B30 and T1-B35



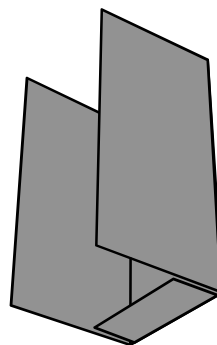
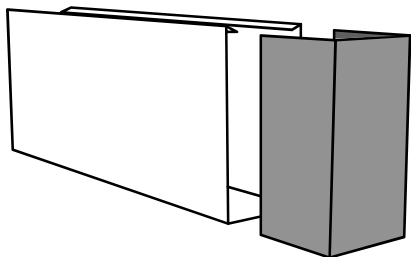
Mounting system

ANTI-RELEASE B30 E B35



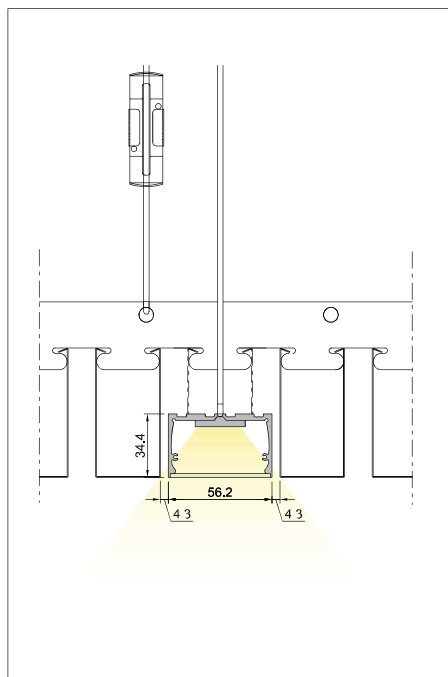
Mounting system

CLOSING CAP



U-section with turned-up edge

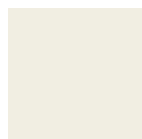
Lights



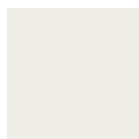
Lamp positioning in relation to the positioning of the baffles elements.

Finishes

Available in the following standard colors:



RAL 9010



RAL 9003



RAL 9006



RAL 9005

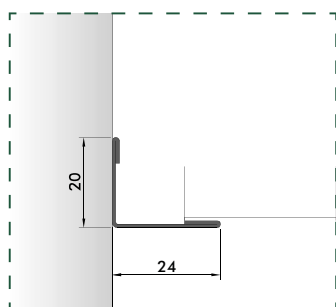


custom RAL
on request

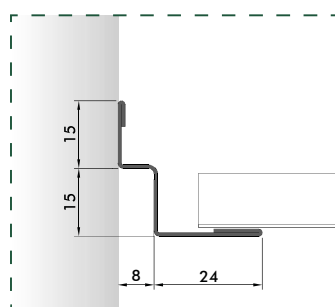
Wood finishes on request.



Perimetral's details



P2_L 3000 mm



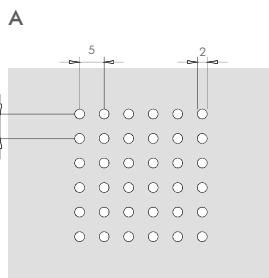
P11/A_L 3050 mm

Each profile can be achieved with customized section in according to customer's requests.

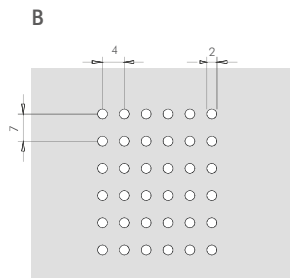
* Supplied on request with polystyrene to maintain in the form the cut panel (supplied not pre-assembled)

Perforation Options

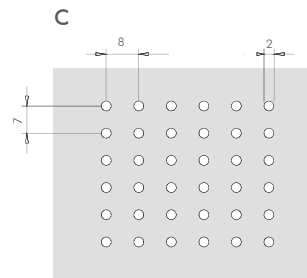
Diameter 2 mm



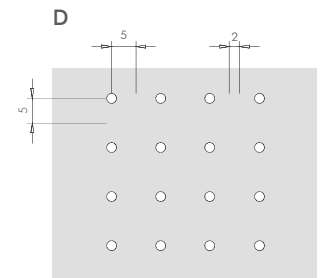
For width: 300
Perforation area: regular
Inter-axes: 5x5 mm
Perforation surface: 11% approx.



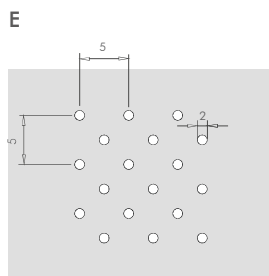
For width: 100 - 150 - 200
Perforation area: regular
Inter-axes: 4x7 mm
Perforation surface: 11% approx.



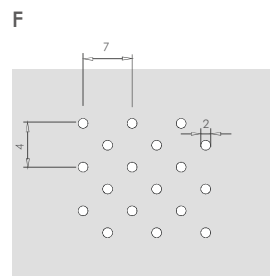
For width: 100 - 150 - 200
Perforation area: regular
Inter-axes: 8x7 mm
Perforation surface: 5% approx.



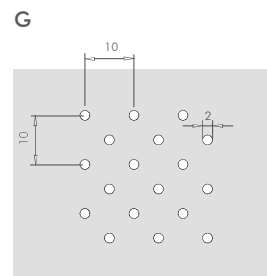
For width: 300
Perforation area: regular
Inter-axes: 10x10 mm
Perforation surface: 5,5% approx.



For width: 300
Perforation area: diagonal
Inter-axes: 5x5 mm
Perforation surface: 22% approx.

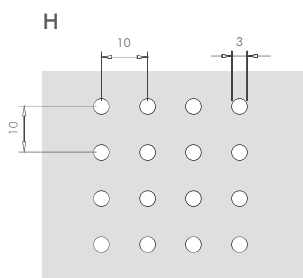


For width: 100 - 150 - 200
Perforation area: diagonal
Inter-axes: 4x7 mm
Perforation surface: 22% approx.

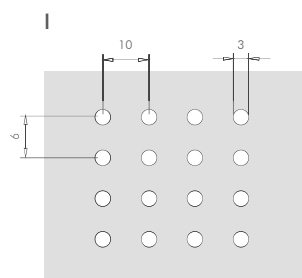


For width: 300
Perforation area: diagonal
Inter-axes: 10x10 mm
Perforation surface: 11% approx.

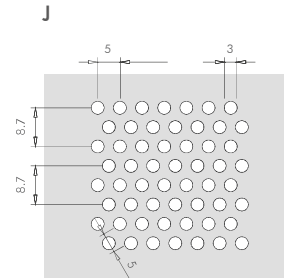
Diameter 3 mm



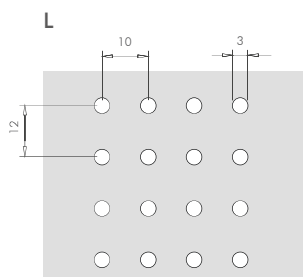
For width: 300
Perforation area: regular
Inter-axes: 10x10 mm
Perforation surface: 7% approx.



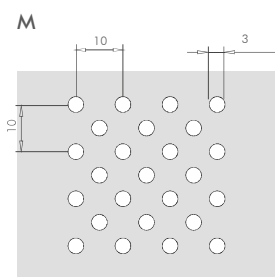
For width: 100 - 150 - 200
Perforation area: regular
Inter-axes: 10x6 mm
Perforation surface: 11% approx.



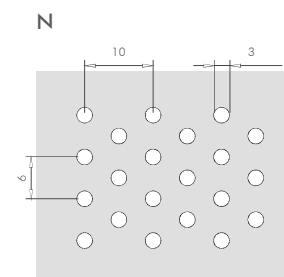
Diameter: 3 mm
Perforation area: diagonal
Inter-axes: 5x8.7 mm
Perforation surface: 32% approx.



For width: 100 - 150 - 200
Perforation area: regular
Inter-axes: 10x12 mm
Perforation surface: 5% approx.



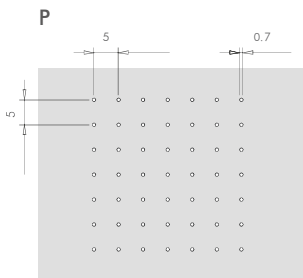
For width: 300
Perforation area: diagonal
Inter-axes: 10x10 mm
Perforation surface: 14% approx.



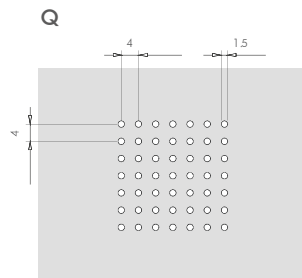
For width: 100 - 150 - 200
Perforation area: diagonal
Inter-axes: 10x6 mm
Perforation surface: 23% approx.

Perforation Options

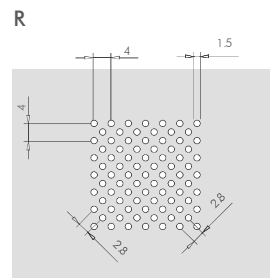
Various



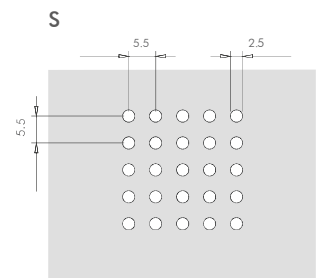
EXTRA MICRO PERFORATION
 Diameter: 0.7 mm
 Perforation area: regular
 Inter-axes: 5x5 mm
 For width: 100 - 150 - 200 - 300
 Perforation surface: 1% approx.



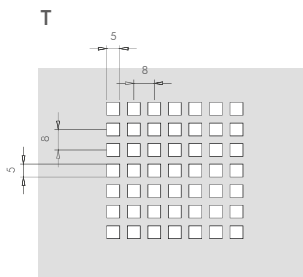
MICRO PERFORATION
 Diameter: 1.5 mm
 Perforation area: regular
 Inter-axes: 4x4 mm
 For width: 100 - 150 - 200 - 300
 Perforation surface: 11% approx.



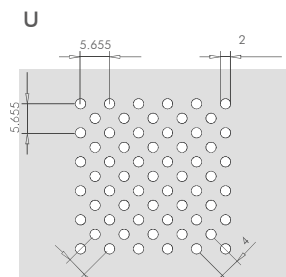
MICRO PERFORATION
 Diameter: 1.5 mm
 Perforation area: diagonal
 Inter-axes: 4x4 mm
 For width: 100 - 150 - 200 - 300
 Perforation surface: 22% approx.



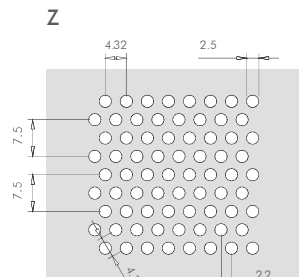
Diameter: 2.5 mm
 Perforation area: regular
 Inter-axes: 5.5x5.5 mm
 For width: 100 - 150 - 200 - 300
 Perforation surface: 16% approx.



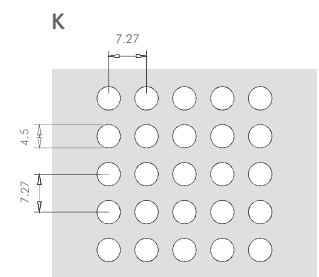
Hole: 5x5 mm
 Perforation area: square
 Inter-axes: 8x8 mm
 For width: 100 - 150 - 200 - 300
 Perforation surface: 40% approx.



Diameter: 2 mm
 Perforation area: diagonal
 Inter-axes: 5.655x5.655 mm
 Perforation surface: 20% approx.



Diameter: 2.5 mm
 Perforation area: diagonal
 Inter-axes: 4.3x7.5 mm
 Perforation surface: 30% approx.



Diameter: 4.5mm
 Perforation area: regular
 Inter-axes: 7.27x7.27 mm
 Perforation surface: 30% approx.

Performance and technical data

Certificated perforations



Panel not perforated
R0701
R1511
R211
R2516
D1522
D222
Acoustic R1511
Acoustic D1522

α_w

0,10
0,55*
0,70*
0,70*
0,75*
0,75*
0,70*
1,00
1,00

Classe

ND
D
C
C
C
C
A
A

Kg/m²



STEEL

between 5.65 and 6.85 kg/mq
(*depending on the thickness of the panel)

ALUMINIUM

between 2.35 and 3.20 kg/mq
(*depending on the thickness of the panel)

* including black acoustick fleece certified and hot applied.

**for others perforations see the following pages

Materials



Coil coated steel and powder coated steel:
RAL 9010, 9003, 9006 wood effect and special finishes.

Coil coated aluminium:
RAL 9003, 9006 and wood effect.

*other colours and finishes on request

Reaction to fire



Coil coated steel or aluminium
Powder coated steel or aluminium
Wool finish Coil coated steel or aluminium

EUROCLASS A1
EUROCLASS A1
EUROCLASS A1

Resistence to humidity



RH 95%

Sustainability



Recycled content
<30%

This product contributes to the credits of the following protocols:



- * including non-woven fabric (black TNT) certified and hot applied.
- ** according to EN ISO 11654
- *** please note that all aluminum and steel products are 100% recyclable.
- **** Intended use of the product according to EN 13501-1
- ***** for any other technical information, please contact our sales or technical office.

General informations

Technical standards

All Profilsystem products are CE marked according to EN 13964. They are also accompanied by the Declaration of Performance (D.O.P.) as required by European regulation 305/11 concerning the placing of construction products on the market.

For applications in particularly aggressive environments such as swimming pools, industrial installations with chemical and / or corrosive fumes, check the most suitable material and surface treatment with the technical or commercial office of Profilsystem.

Storage

All products are carefully packed and placed on special pallets and secured by strapping and film wrapping. On request we can provide the package complete of cardboard corners, bubble wrap and polystyrene to reduce the risks during transport.

It is always recommended to handle all packaging with the most care, avoiding shocks and practices that damage the contents. The packed material is stored in closed, clean and dry places until the time of pick-up.

Do not expose filmed products to heat sources and do not leave them under the sun.

Installation

The metal ceiling are installed manually by the installer depending on the type and model you choose.

The material should be stored in closed, clean and dry places until the time of installation.

Do not rest on the ground and not leave the products on site without the original package issued at the time of delivery.

Avoid the contact between material and water, solvents, degreasers and aggressive liquids.

Cleaning and Maintenance

Metal ceilings, thank to the easy washing and cleaning are also a guarantee in terms of hygiene.

To remove dust, stains or smudges you can use carefully a clean, dry cloth or moistened with neutral detergent, or non-abrasive and non-aggressive disinfectants.



Give life to your project

ITALY

Head quarter & showroom

Via Don Luigi Sturzo,3 - 20822 Seveso (MB) Italy
tel: +39 0362 625652 - fax: +39 0362 306733
www.profilsystem.com

DUBAI

Sales offices & showroom

TOP 27 CONSULTING JLT
Office 3205 - JBC2
Cluster V - JLT
Dubai - United Arab Emirates
middleeast@profilsystem.com

CHILE

Sales offices & showroom

COMERCIAL E.V.A. Limitada
Avenida La Dehesa 1844
Ufficio 714
Lo Barnechea, Santiago de Chile
tel: +59 9 51599037
info@nenzi.cl

SPAIN

Sales offices & showroom

PROFILSYSTEM EPC
Techos de Aluminio
C/ Lluís Companys, 52
08810 Sant Pere de Ribes, Barcelona
tel: +34 666 431 921
info@profilsystem.es

Our offices are at your disposal

SALES OFFICE ITALY:

Elis Zappino
elis@profilsystem.com

EXPORT OFFICE:

Alexa Maj
export@profilsystem.com

TECHNICAL OFFICE:

Simone Sangermano
tecnico@profilsystem.com

SHIPPING OFFICE:

Chiara Talon
chiara.talon@profilsystem.com

Dott. Riccardo Ghezzi
riccardo@profilsystem.com