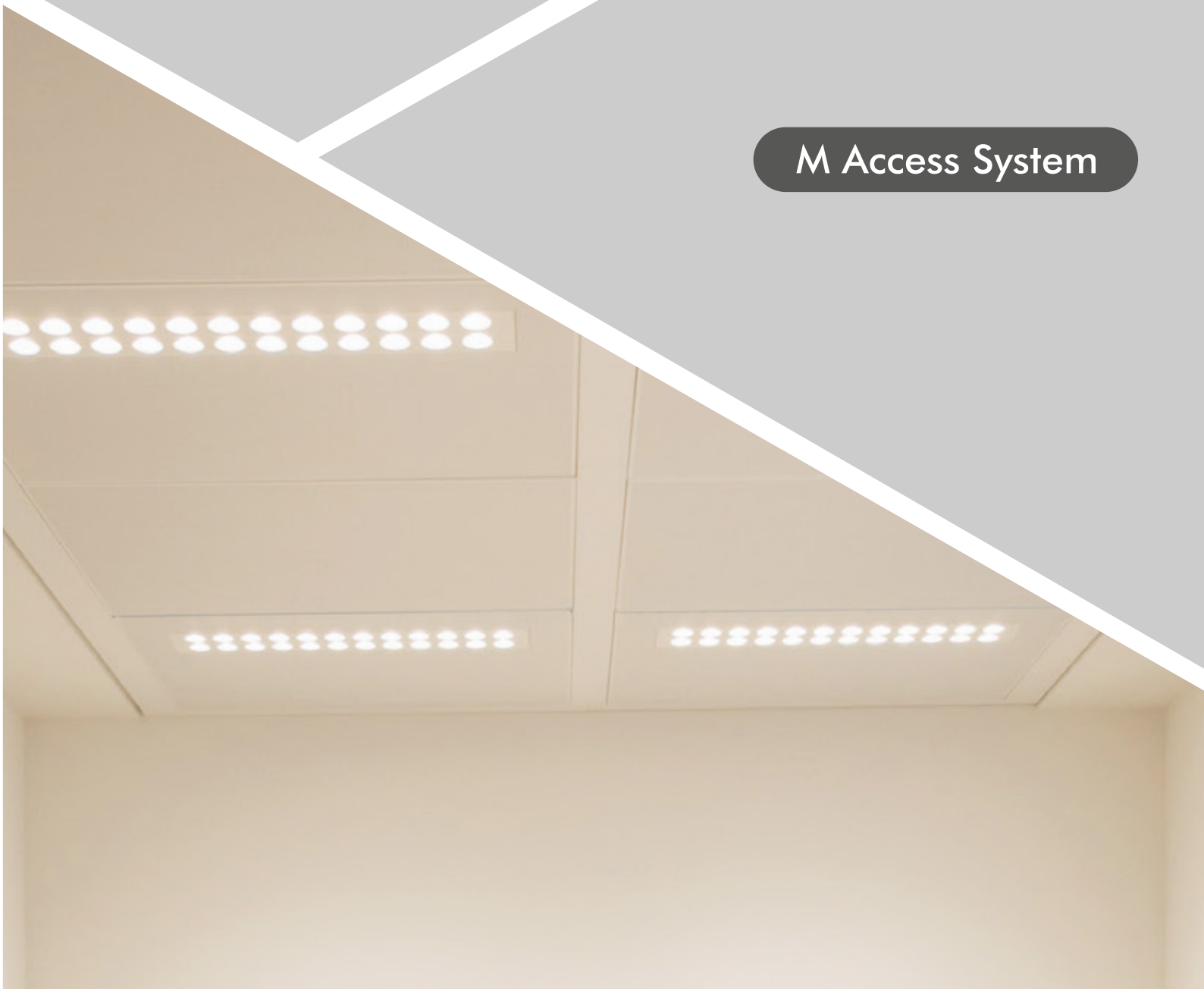


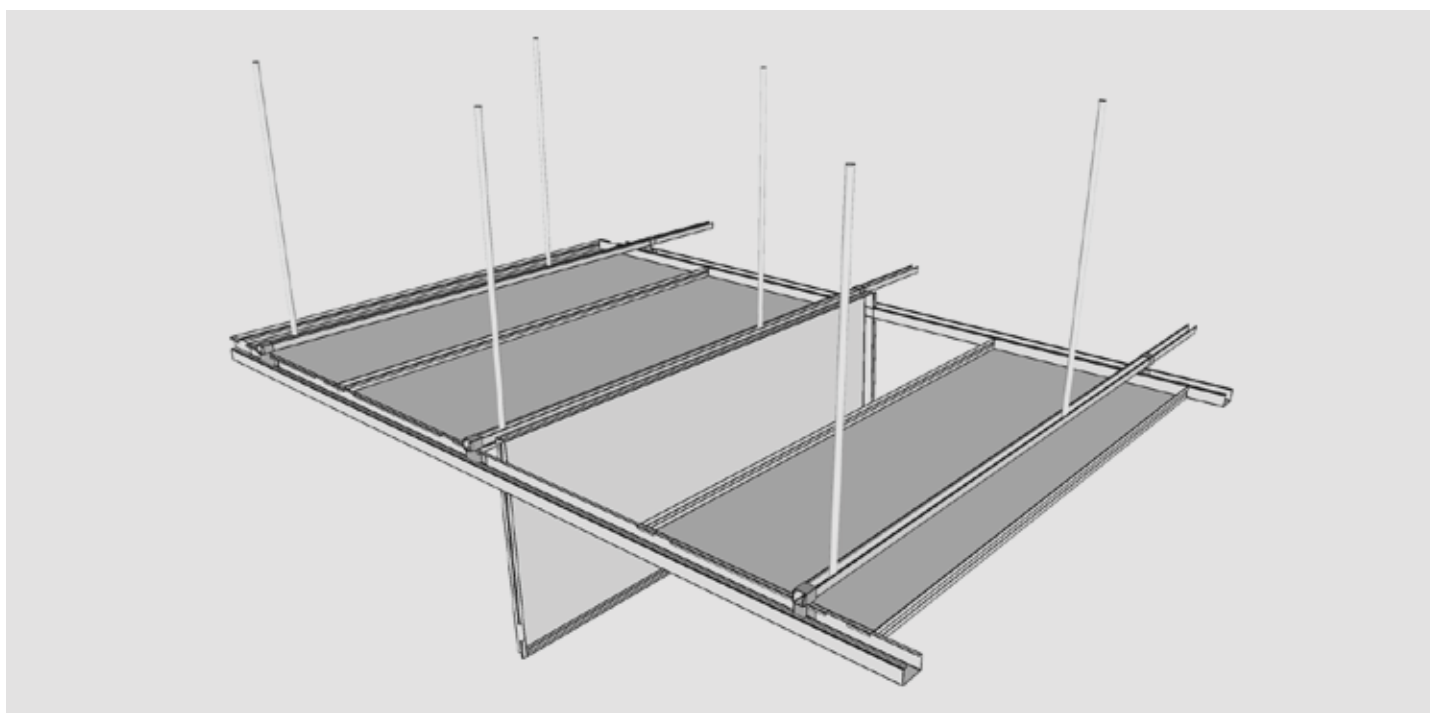


*Give life to your project*

## M Access System



## M Access System



### Description

In the M-ACCESS system, thanks to the special shape, the panels are suspended on the bartack, maintaining the original placement.

This ensures not only an easy inspection, but also the possibility of interventions without displacement of panels on the floor.

Consequently, also the closing of the ceiling will be easier and faster.

The main bartack also provide a meeting point for the partition walls. This type of ceiling gives considerable flexibility by combining functionality and simplicity of style, allowing the customer to define the size of the panel that suit best the project's requirements.

### Main features

#### Panel module

-M Access System: custom

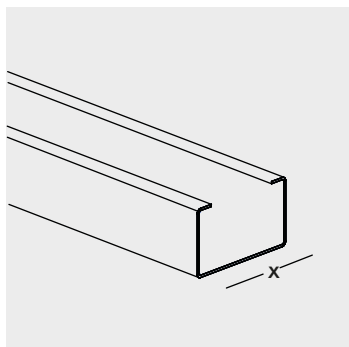
#### Material and Colour

-Coil coated Steel:  
RAL 9010, 9003, 9006  
-Powder coated Steel:  
RAL 9010, 9003, 9006  
-Coil coated Aluminum:  
RAL 9003,9006  
(other RAL colours available  
on request)

#### Sound absorption

TNT black

## M System elements

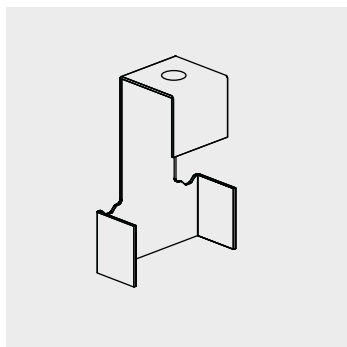


### BARTACK

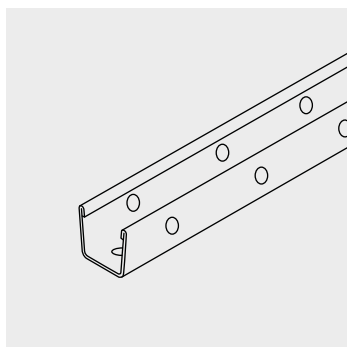
50, 100, 150, 200, 250, 300

M SP\* = min 50 mm max 300 mm

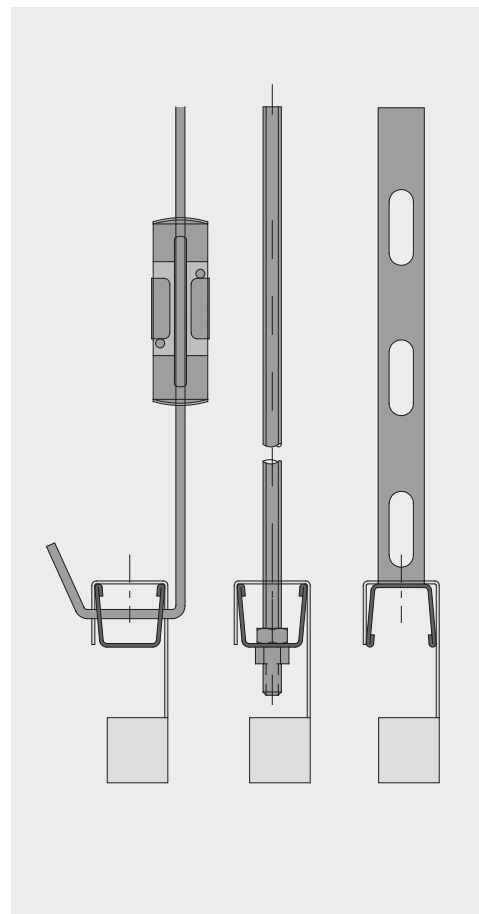
\*SP: special with out of module width



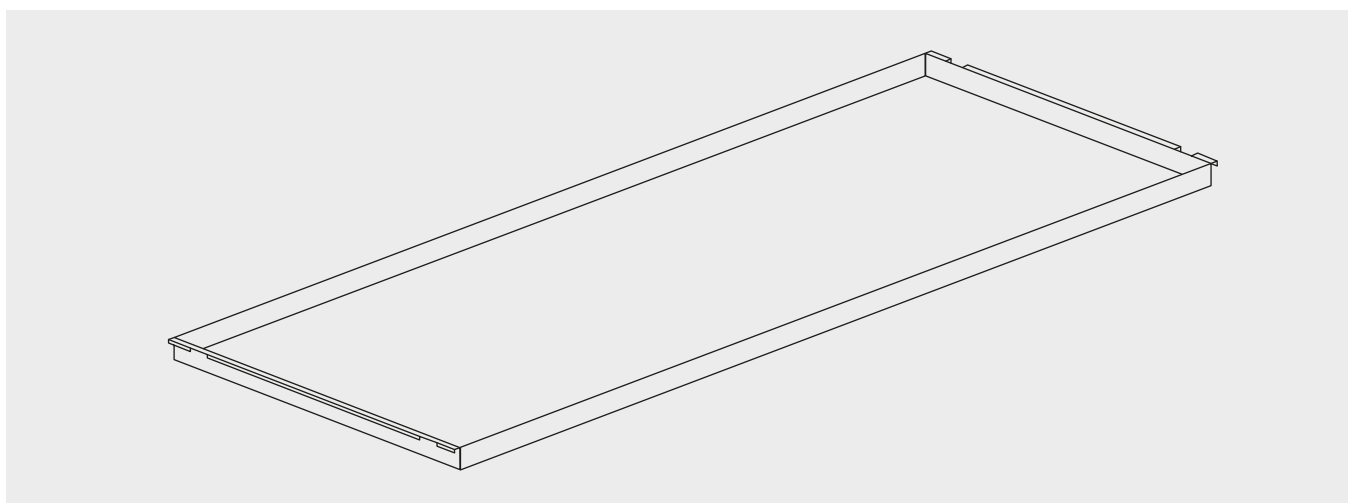
### BRACKET



### "U" PROFILE

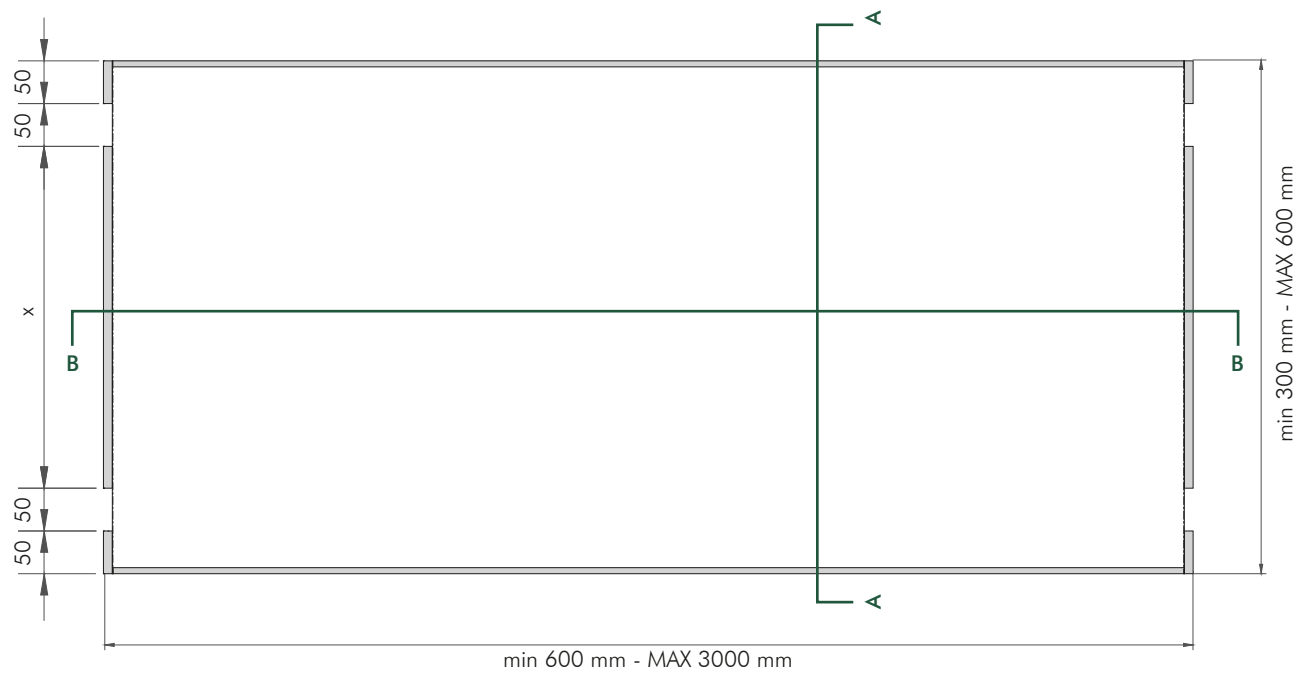


### SUSPENDING

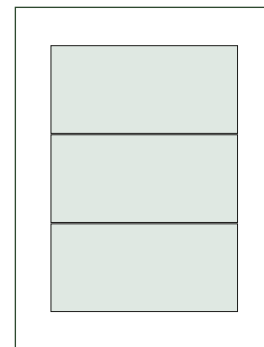


### PANEL

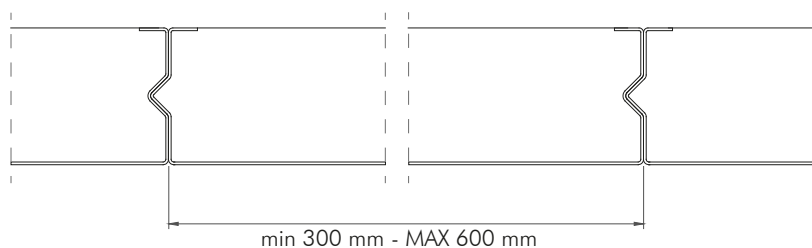
**Panel**



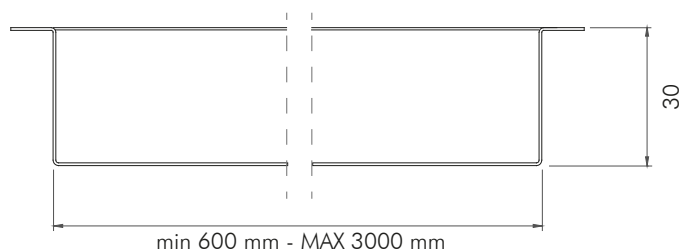
**Standard**



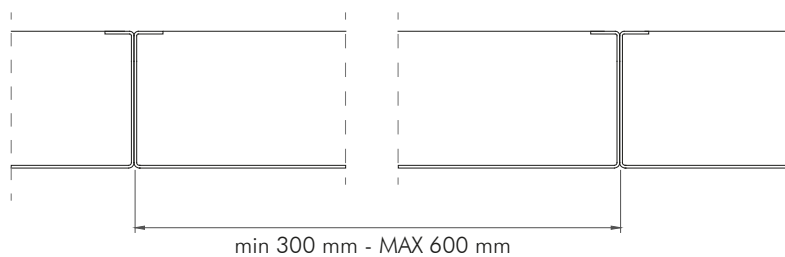
**Section A - A' \_ edge bMF**



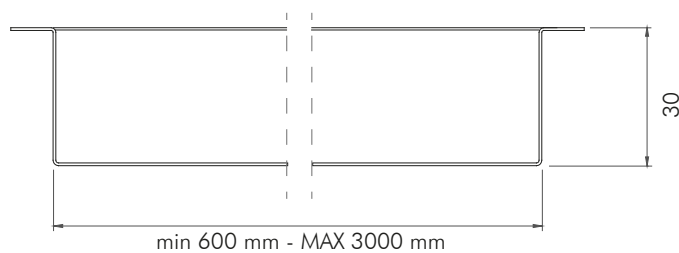
**Section B - B' \_ edge bMF**



**Section A - A' \_ edge bD**



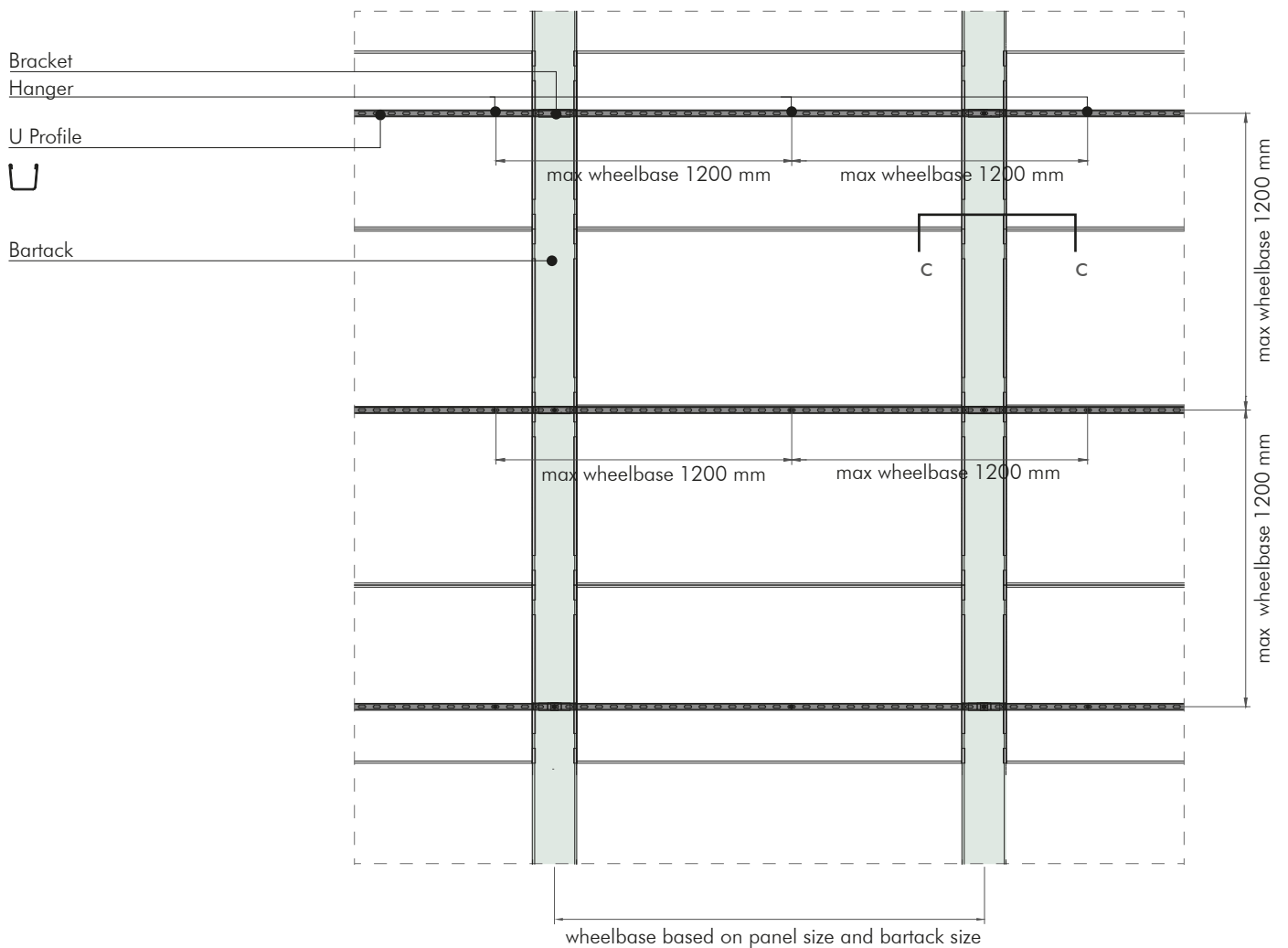
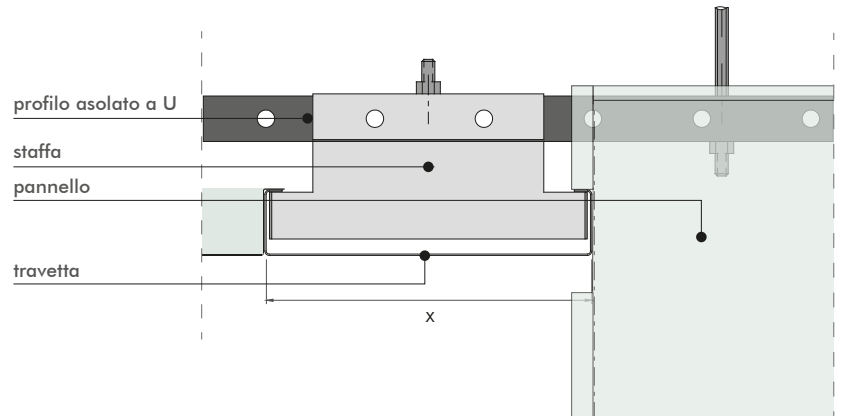
**Section B - B' \_ edge bD**



**Structure** **Section C-C**

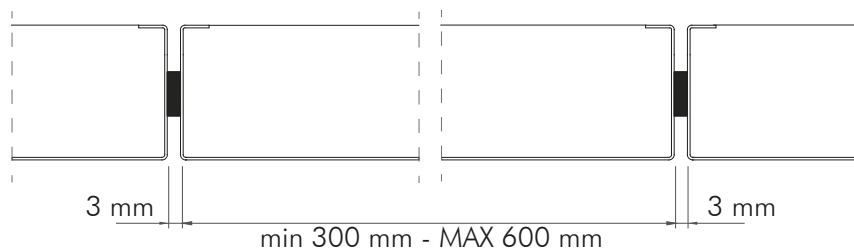
The structure consists of an orthogonal mesh, created through the use of U profiles and Bartack of various sizes, positioned according to the dimensions of the panel.

The two elements are suitably joined together by using a bracket sized on the basis of the bartack. Slots, in the U profile, are perforated with a 50 mm distance and allow the installer to choose the type of hangers among those identified (recommended at a maximum distance of 1200 mm), thus making installation simple and practical.

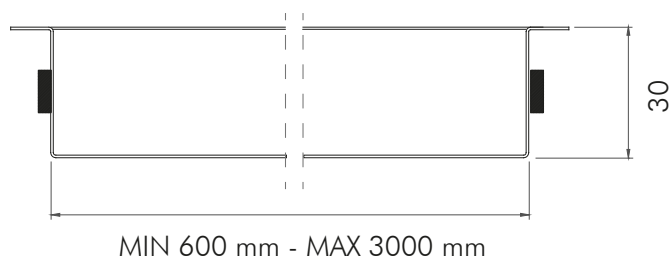


\* wheelbases indicated are to be verified according to the load per m<sup>2</sup>

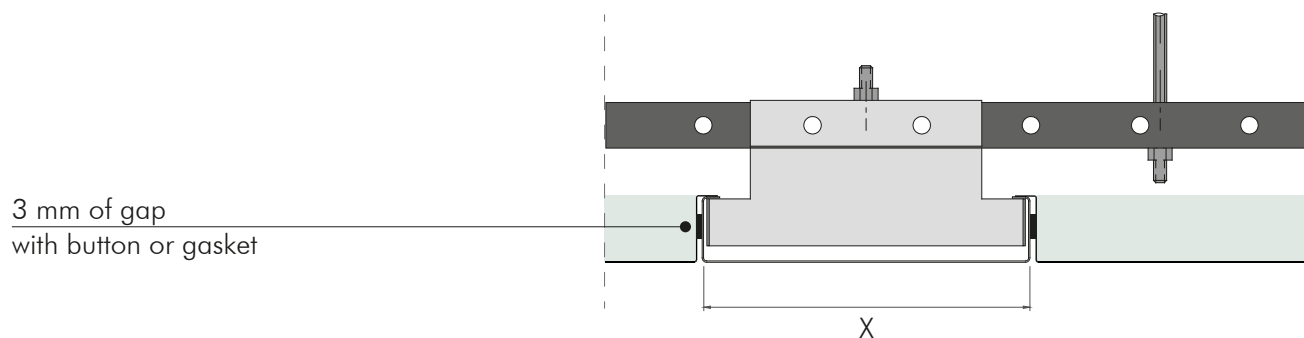
**Section A - A' \_with gap**



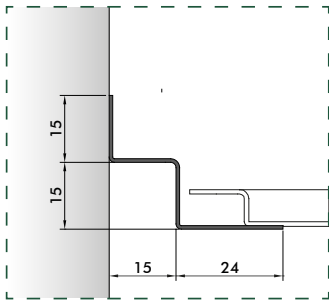
**Section B - B' \_with gap**



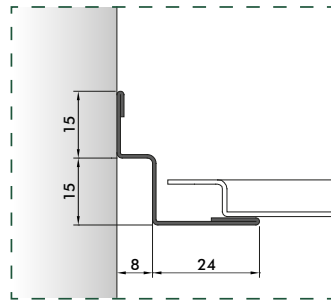
**Section C - C' \_with gap**



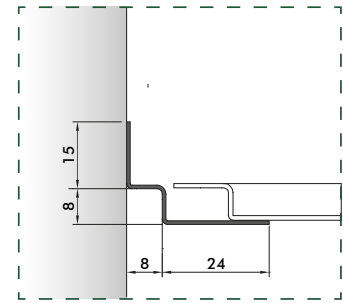
**Perimetral's details**



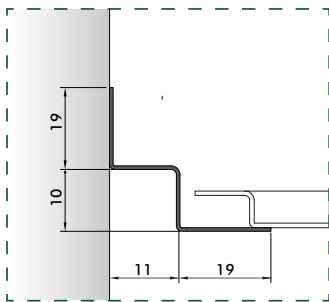
**P11\_L 3000 mm**



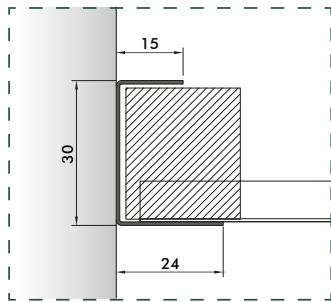
**P11/A\_L 3050 mm**



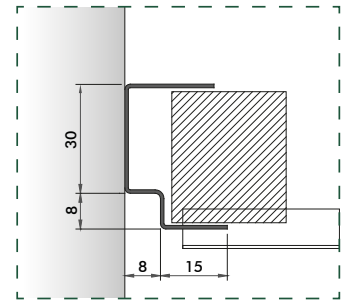
**P12\_L 3000 mm**



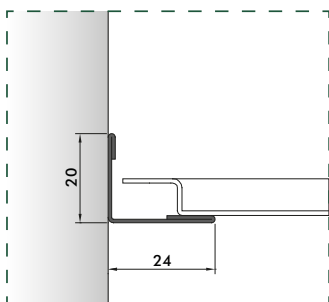
**P15/A\_L 3000 mm**



**P10\*\_L 3000 mm**



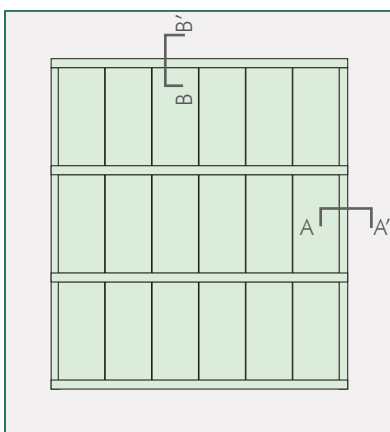
**P13\*\_L 3000 mm**



**P2\_L 3000 mm**

Each profile can be achieved with customized section in according to customer's requests.

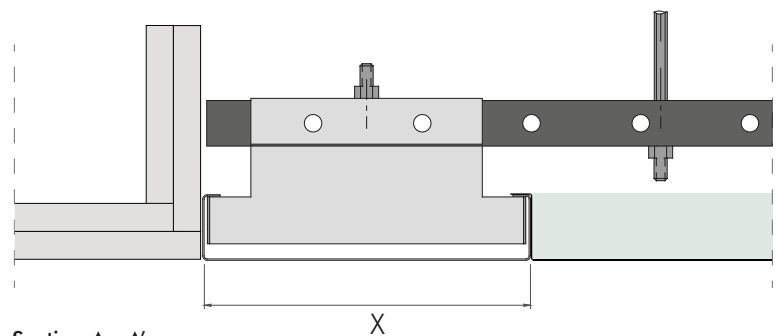
\* Supplied on request with polystyrene to maintain in the form the cut panel (supplied not pre-assembled)



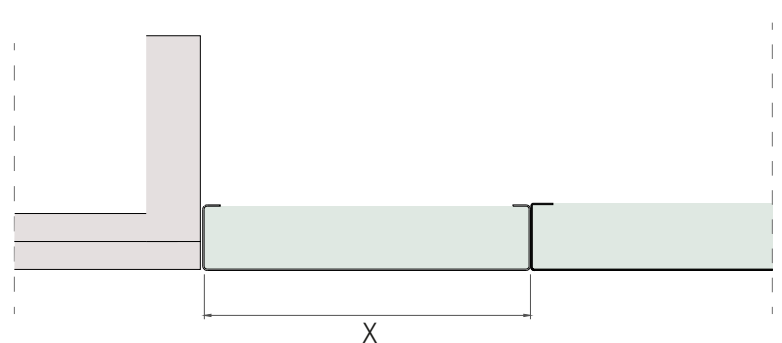
Perimeter finish made with the same load-bearing bartack.

For this solution it will be necessary to create a perfectly square compensation veil

**Section B - B'**



**Section A - A'**





## Performance and technical data



Perforation  
type



$\alpha_w$ \*



Classe\*\*



Recycled  
content (%)\*\*\*



Reaction to  
fire class\*\*\*\*



%RH

Perforation type	$\alpha_w$ *	Classe**	Recycled content (%)***	Reaction to fire class****	%RH
Panel not perforated	0,10	NC	<30	A1	95
R0701	0,55	D	<30	A1	95
R1511	0,70	C	<30	A1	95
R211	0,70	C	<30	A1	95
R2516	0,75	C	<30	A1	95
D1522	0,75	C	<30	A1	95
D222	0,70	C	<30	A1	95
Acoustic R1511	1,00	A	≤30	A1	95
Acoustic D1522	1,00	A	≤30	A1	95

\* including non-woven fabric (black TNT) certified and hot applied.

\*\* according to EN ISO 11654

\*\*\* please note that all aluminum and steel products are 100% recyclable.

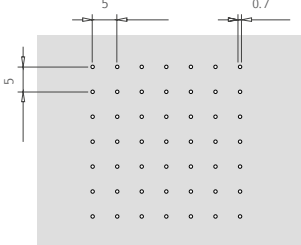
\*\*\*\* Intended use of the product according to EN13964: 2014 / A1: 2006: Components of suspended ceiling membranes for internal use in buildings. System of assessment and verification of constancy of performance of the construction product: SYSTEM 3.

\*\*\*\*\* for any other technical information, please contact our sales or technical office.

## Perforation Options

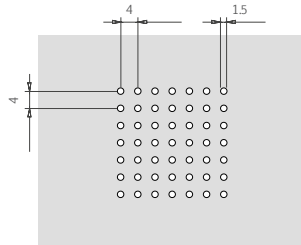
### Regular

**R0701**



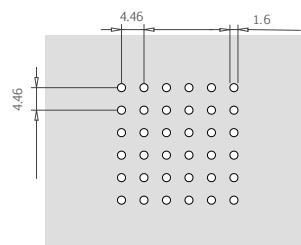
aw 0.55 - EXTRA MICRO PERFORATION  
 Diameter : 0.7 mm  
 Perforation area : regular central or total  
 Inter-axes : 5x5 mm  
 Perforation surface : 1.5% approx.

**R1511**



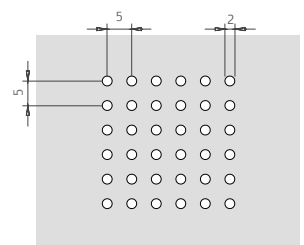
aw 0.70 - MICRO PERFORATION  
 Diameter: 1.5 mm  
 Perforation area: regular central or total  
 Inter-axes: 4x4 mm  
 Perforation surface: 11% approx.

**R1610**



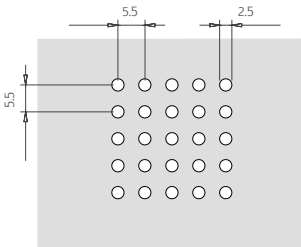
Diameter: 1.6 mm  
 Perforation area: regular central or total  
 Inter-axes: 4.46x4.46 mm  
 Perforation surface: 10% approx.

**R211**



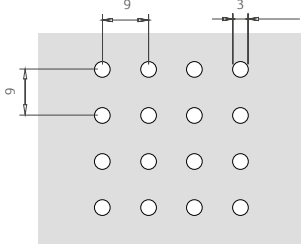
aw 0.70  
 Diameter: 2 mm  
 Perforation area: regular central or total  
 Inter-axes: 5x5 mm  
 Perforation surface: 11% approx.

**R2516**



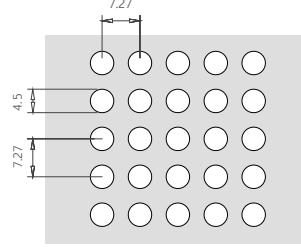
aw 0.75  
 Diameter: 2.5 mm  
 Perforation area: regular central or total  
 Inter-axes: 5.5x5.5 mm  
 Perforation surface: 16% approx.

**R308**



Diameter: 3 mm  
 Perforation area: regular central or total  
 Inter-axes: 9x9 mm  
 Perforation surface: 8% approx.

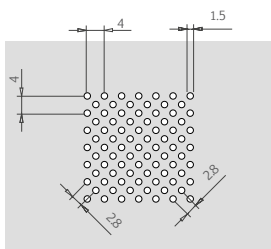
**R4530**



Diameter: 4.5 mm  
 Perforation area: regular central or total  
 Inter-axes: 7.27x7.27 mm  
 Perforation surface: 30% approx.

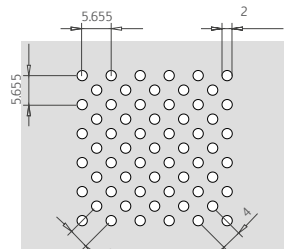
### Diagonal

**D1522**



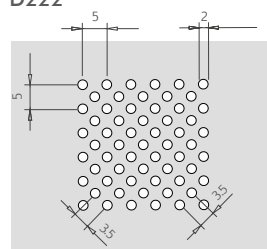
aw 0.75 - MICRO PERFORATION  
 Diameter: 1.5 mm  
 Perforation area: diagonal central or total  
 Inter-axes: 4x4 mm  
 Perforation surface: 22% approx.

**D220**



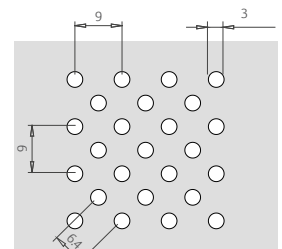
Diameter: 2 mm  
 Perforation area: diagonal central or total  
 Inter-axes: 5.655x5.655 mm  
 Perforation surface: 20% approx.

**D222**



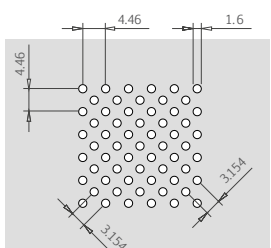
aw 0.70  
 Diameter : 2 mm  
 Perforation area: diagonal central or total  
 Inter-axes: 5x5 mm  
 Perforation surface : 22% approx.

**D316**



Diameter: 3 mm  
 Perforation area: diagonal central or total  
 Inter-axes: 9x9 mm  
 Perforation surface: 16% approx.

**D1620**

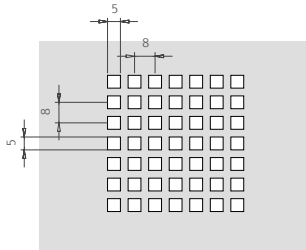


Diameter: 1.6 mm  
 Perforation area: diagonal central or total  
 Inter-axes: 4.46x4.46 mm  
 Perforation surface: 20% approx.

# Perforation Options

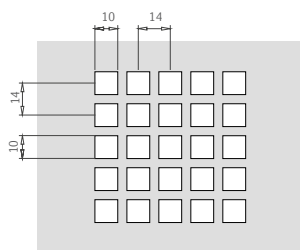
## Square

**Q540**



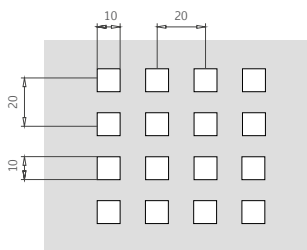
Hole: 5x5 mm  
 Perforation area: regular central or total  
 Inter-axes: 8x8 mm  
 Perforation surface: 40% approx.

**Q1045**



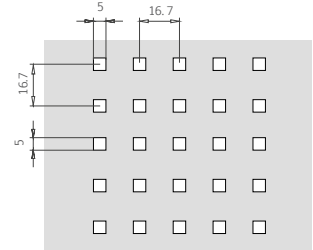
Hole: 10x10 mm  
 Perforation area: regular central or total  
 Inter-axes: 14x14 mm  
 Perforation surface: 45% approx.

**Q1020**



Hole: 10x10 mm  
 Perforation area: regular central or total  
 Inter-axes: 20x20 mm  
 Perforation surface: 20% approx.

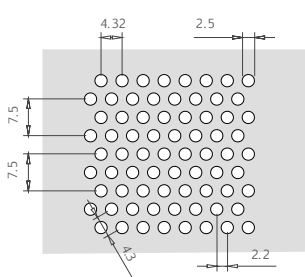
**Q509**



Hole: 5x5 mm  
 Perforation area: regular central or total  
 Inter-axes: 16.7x16.7 mm  
 Perforation surface: 9% approx..

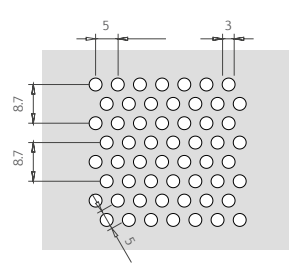
## Hexagonal

**E2530**



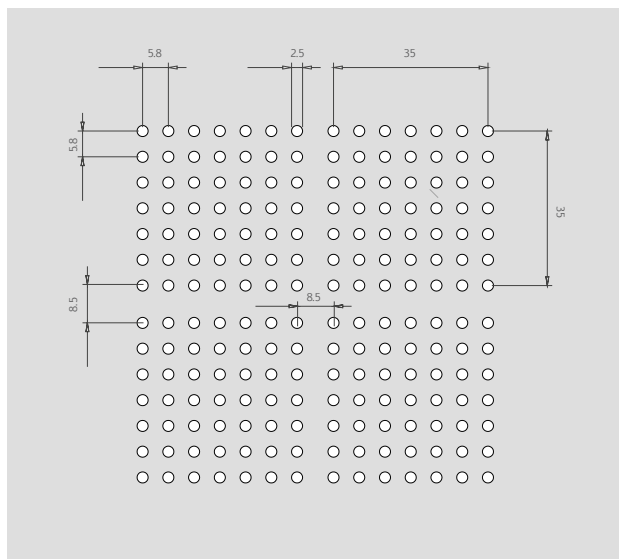
Diameter: 2.5 mm  
 Perforation area: diagonal central or total  
 Inter-axes: 4.3x7.5 mm  
 Perforation surface: 30% approx.

**E332**



Diameter: 3 mm  
 Perforation area: diagonal central or total  
 Inter-axes: 5x8.7 mm  
 Perforation surface: 32% approx.

**04/5,5x5,5**



Diameter: 2.5 mm  
 Perforation area: regular 35x35 mm  
 Inter-axes: 8.5 mm  
 Perforation surface: 15% approx.

## General informations

### Technical standards

All Profilsystem products are CE marked according to EN 13964. They are also accompanied by the Declaration of Performance (D.O.P.) as required by European regulation 305/11 concerning the placing of construction products on the market.

For applications in particularly aggressive environments such as swimming pools, industrial installations with chemical and / or corrosive fumes, check the most suitable material and surface treatment with the technical or commercial office of Profilsystem.

### Storage

All products are carefully packed and placed on special pallets and secured by strapping and film wrapping. On request we can provide the package complete of cardboard corners, bubble wrap and polystyrene to reduce the risks during transport.

It is always recommended to handle all packaging with the most care, avoiding shocks and practices that damage the contents. The packed material is stored in closed, clean and dry places until the time of pic-up.

Do not expose filmed products to heat sources and do not leave them under the sun.

### Installation

The metal ceiling are installed manually by the installer depending on the type and model you choose.

The material should be stored in closed, clean and dry places until the time of installation.

Do not rest on the ground and not leave the products on site without the original package issued at the time of delivery.

Avoid the contact between material and water, solvents, degreasers and aggressive liquids.

### Cleaning and Maintenance

Metal ceilings, thank to the easy washing and cleaning are also a guarantee in terms of hygiene.

To remove dust, stains or smudges you can use carefully a clean, dry cloth or moistened with neutral detergent, or non-abrasive and non-aggressive disinfectants.



Give life to your project

## ITALY

### Head quarter & showroom

Via Don Luigi Sturzo,3 - 20822 Seveso (MB) Italy  
tel: +39 0362 625652 - fax: +39 0362 306733  
[www.profilsystem.com](http://www.profilsystem.com)

## DUBAI

### Sales offices & showroom

TOP 27 CONSULTING JLT  
Office 3205 - JBC2  
Cluster V - JLT  
Dubai - United Arab Emirates  
[middleeast@profilsystem.com](mailto:middleeast@profilsystem.com)

## CHILE

### Sales offices & showroom

COMERCIAL E.V.A. Limitada  
Avenida La Dehesa 1844  
Ufficio 714  
Lo Barnechea, Santiago de Chile  
tel: +59 9 51599037  
[info@nenzi.cl](mailto:info@nenzi.cl)

## SPAIN

### Sales offices & showroom

PROFILSYSTEM EPC  
Techos de Aluminio  
C/ Lluís Companys, 52  
08810 Sant Pere de Ribes, Barcelona  
tel: +34 666 431 921  
[info@profilsystem.es](mailto:info@profilsystem.es)

## Our offices are at your disposal

### SALES OFFICE ITALY:

Elis Zappino  
[elis@profilsystem.com](mailto:elis@profilsystem.com)  
Skype ID [elis.zappino](#)

Dott. Riccardo Ghezzi  
[riccardo@profilsystem.com](mailto:riccardo@profilsystem.com)  
Skype ID [ghezziriccardo](#)

### EXPORT OFFICE:

Dott. Alexa Maj  
[export@profilsystem.com](mailto:export@profilsystem.com)  
Skype ID [Alexa Maj](#)

### TECHNICAL OFFICE:

Arch. Manuela De Cristofaro  
[tecnico@profilsystem.com](mailto:tecnico@profilsystem.com)  
Skype ID [Manuela De Cristofaro](#)

### SHIPPING OFFICE:

Chiara Talon  
[chiara.talon@profilsystem.com](mailto:chiara.talon@profilsystem.com)  
Skype ID [talon.chiara](#)