



PROFILSYSTEM[®]

Give life to your project

Panel D and D120



Panel D and D120



Description

D and D120 are panels characterized by hidden structure. Thanks to particular notches, these panels are locked inside a profile with a triangular section.

Panels D and D120 can be assembled on simple structure (composed by triangular profile and suspended clip) or on double structure (composed by triangular profile, clip and suspended U profile).

The U Profile is suggested with a maximum distance of 1200 mm.

The double structure made-up of U-profiles and triangular profiles, generates a rigid structure, especially useful for covering large surfaces.

Main features

Panel module

-Mod. D: 600x600 mm
-Mod. D120: 1200x600 mm

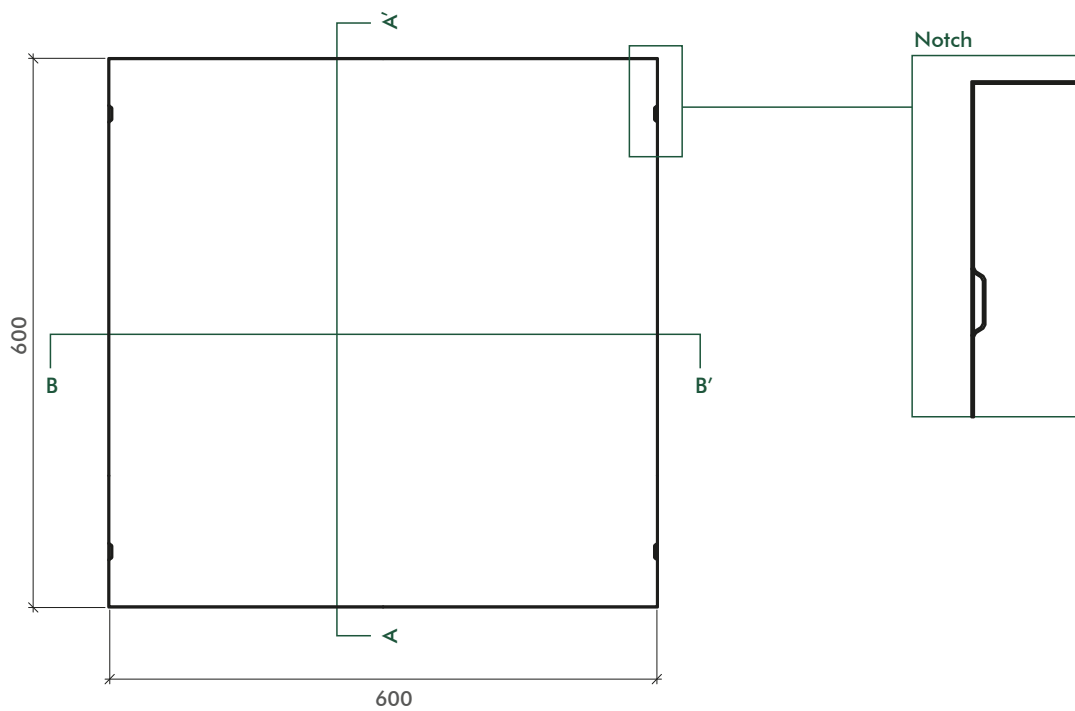
Material and Colour

-Coil coated Steel:
RAL 9010, 9003, 9006
-Powder coated Steel:
RAL 9010, 9003, 9006
-Coil coated Aluminum:
RAL 9003, 9006
(other RAL colours available on request)

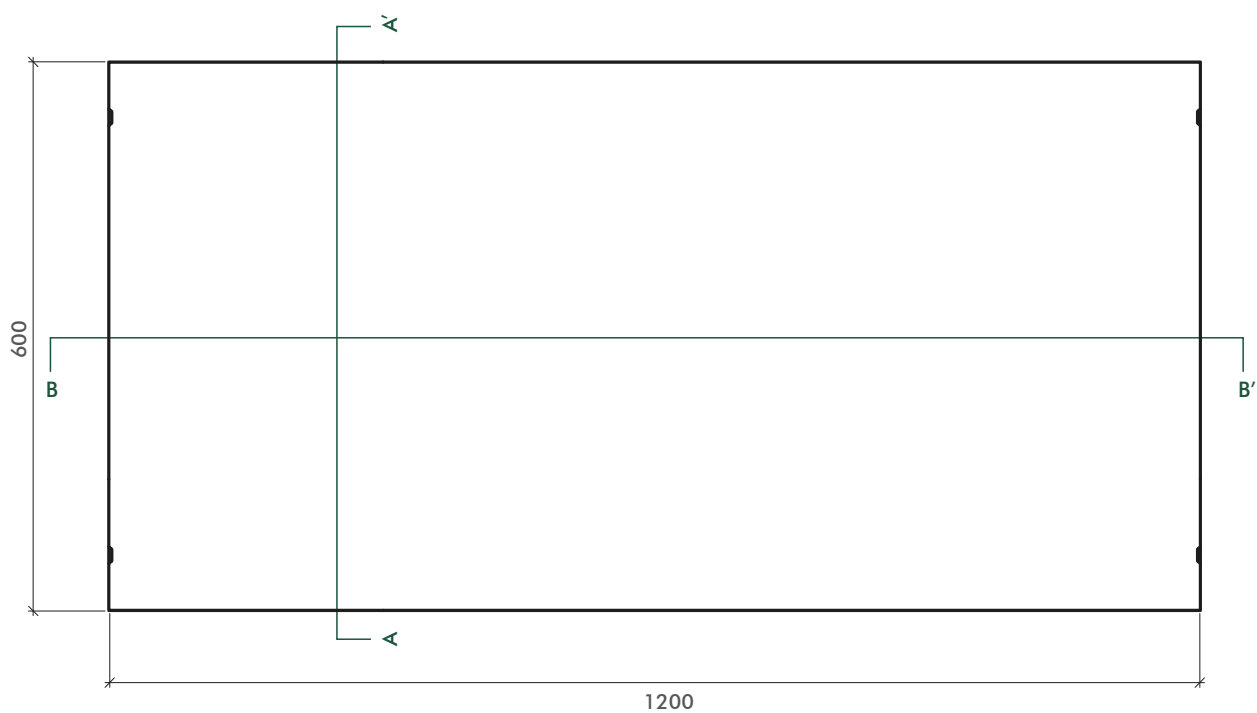
Sound absorption

TNT black

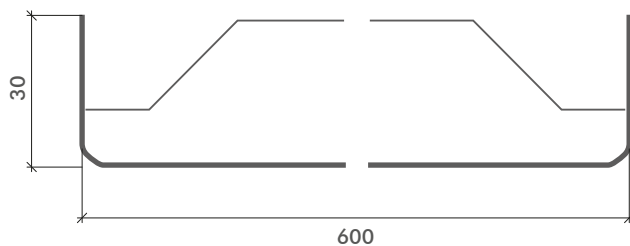
Panel D



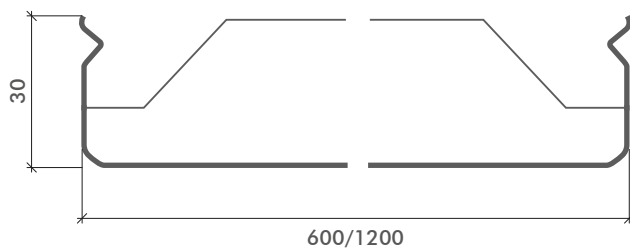
Panel D120



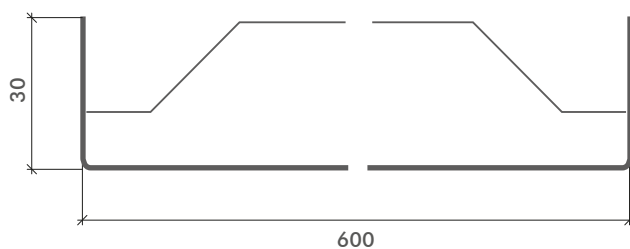
Section A - A' _ Rounded corners



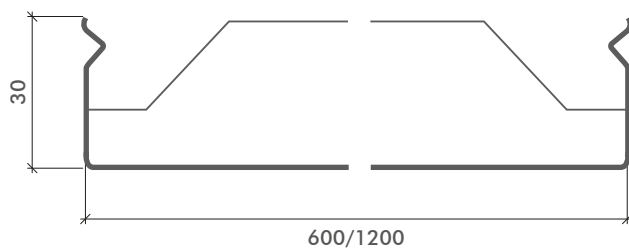
Section B - B' _ Rounded corners



Section A - A' _ 90° bending



Section B - B' _ 90° bending



Simple Structure Suspension

Incidence

The simple structure suspension system is constituted by: *Triangular Profile*, with particular section, allows the placement of the panel with a simple pressure, and *Clip*, which allows the suspension of the *Triangular Profiles*.

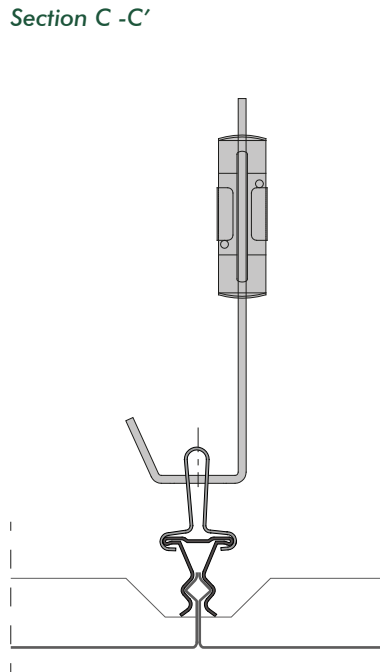
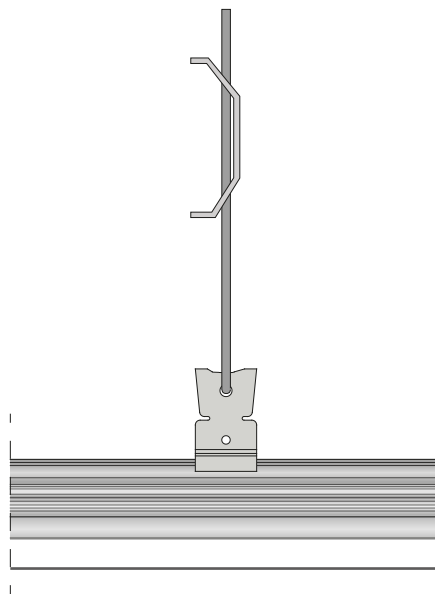
Panels 600x600

Triangular Profile	1,70 ml/mq
Clip	2,00 pcs/mq
Joint for Triangular Profile	0,4 pcs/mq
Hanger	2,00 pcs/mq

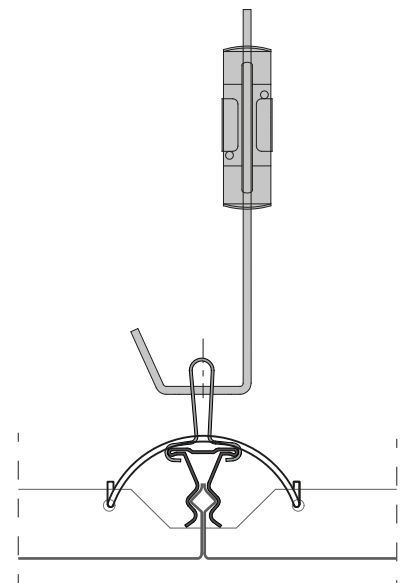
Panels 600x1200

Triangular Profile	0,84 ml/mq
Clip	1,00 pcs/mq
Joint for Triangular Profile	0,2 pcs/mq
Hanger	1,00 pcs/mq

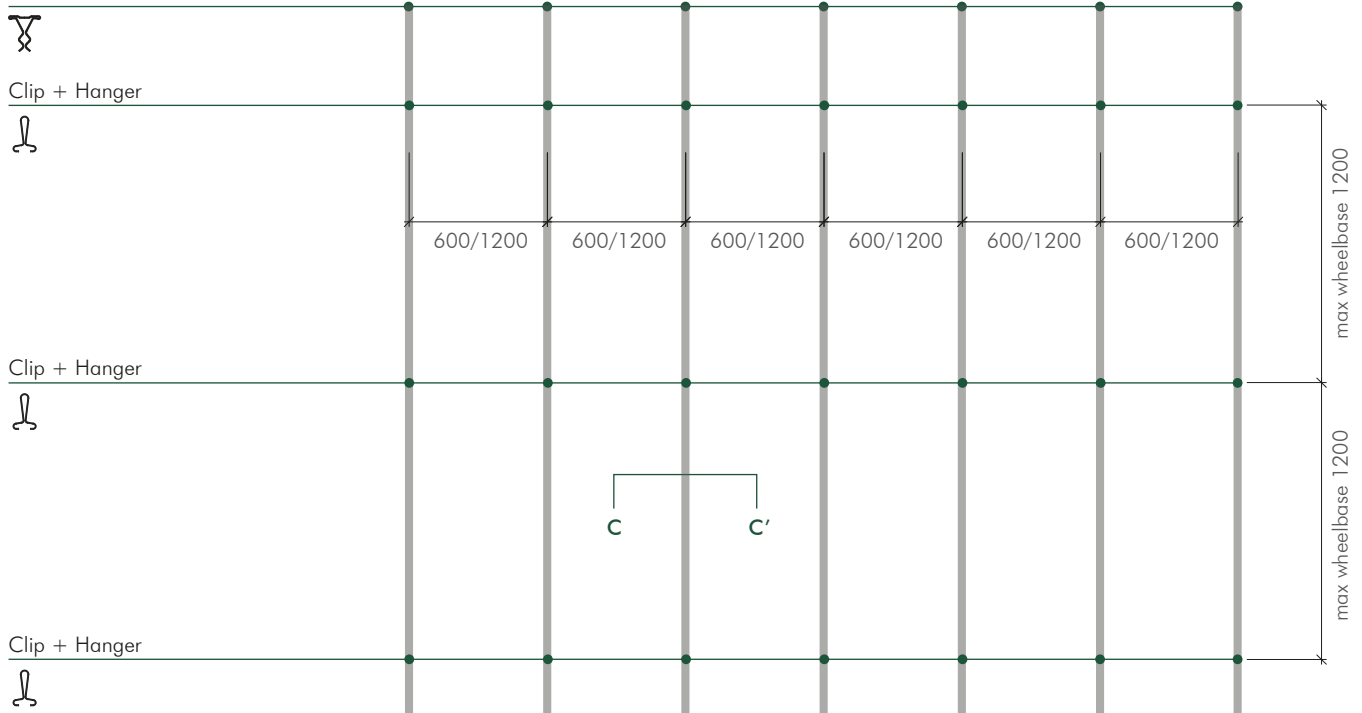
Section C - C'



Section C -C' with anti-release clip



Triangular Profile + Joint



Double Suspension Structure

Incidence

The double structure suspension consists of an orthogonal grid given by the *Triangular Profile*, *Clips*, for suspension, and slotted *U profile*. Clips, which support the *Triangular Profile*, are inserted in slots of the "U". This type of suspension generates a strong structure and it's recommended for covering large surfaces.

Panels 600x600

U Profile	0,84 ml/mq
Joint for U Profile	1,00 pz/mq
Triangular Profile	1,70 ml/mq
Joint for Triangular Profile	0,4 pz/mq
Clip	2,00 pz/mq
Hanger	1,00 pz/mq

Panels 600x1200

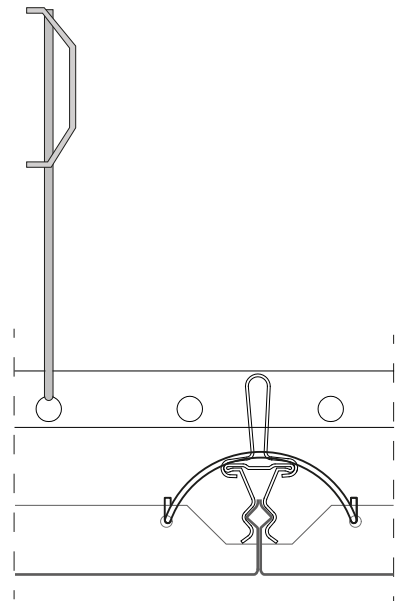
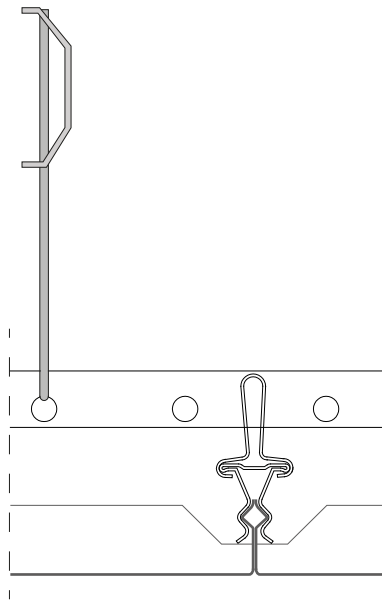
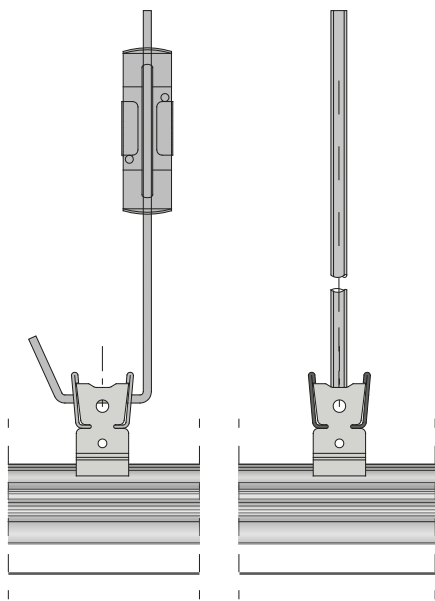
U Profile	0,84 ml/mq
Joint for U Profile	1,00 pz/mq
Triangular Profile	0,84 ml/mq
Joint for Triangular Profile	0,2 pz/mq
Clip	1,00 pz/mq
Hanger	1,00 pz/mq

Suspension with hanger

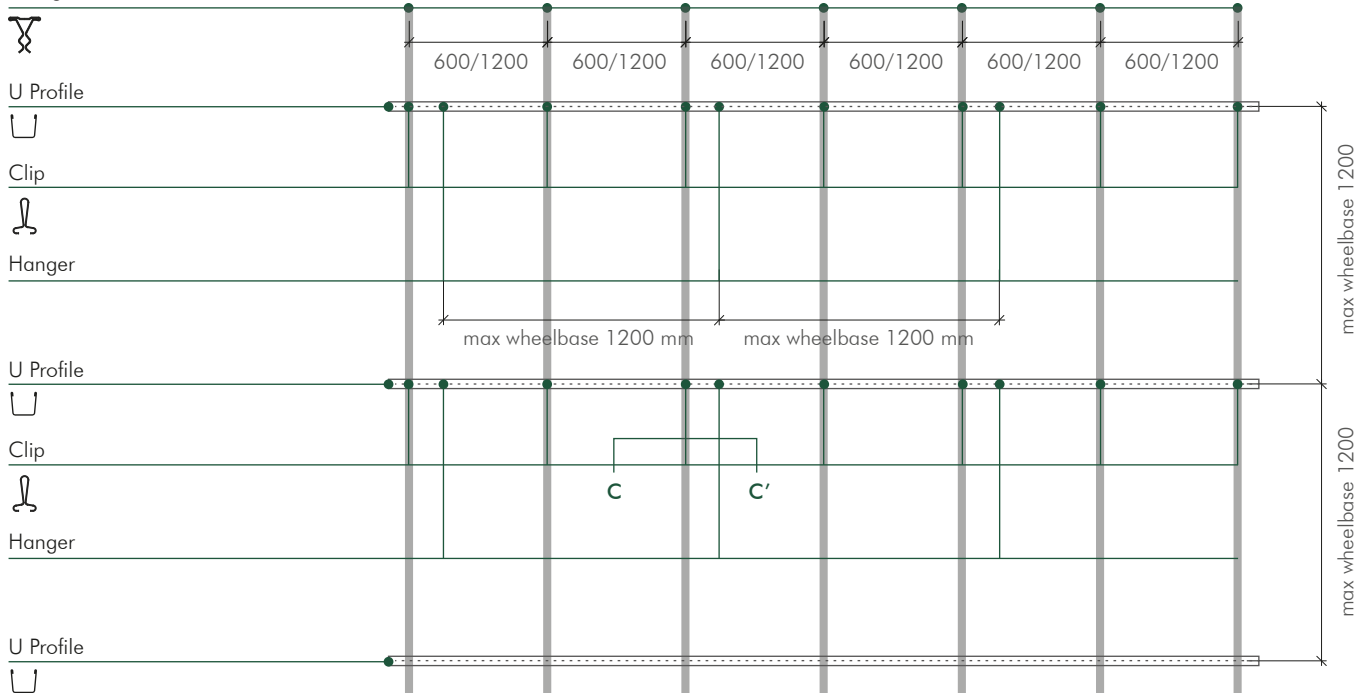
Suspension with threaded bar

Section C - C'

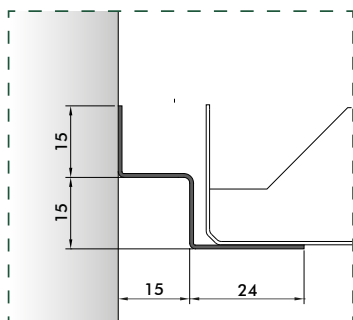
Section C - C' with anti-release clip



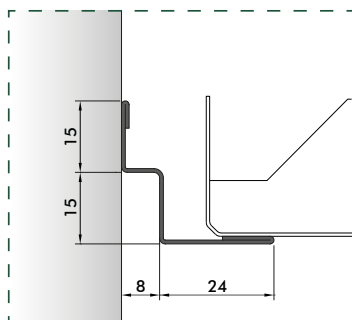
Triangular Profile + Joint



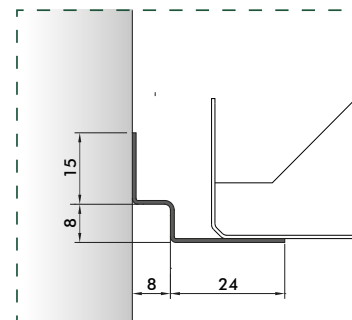
Perimetral's details



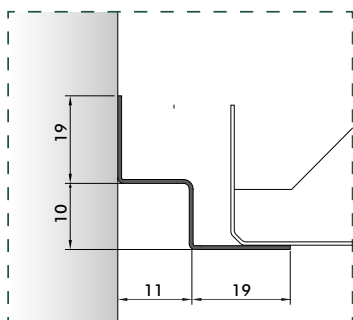
P11_L 3000 mm



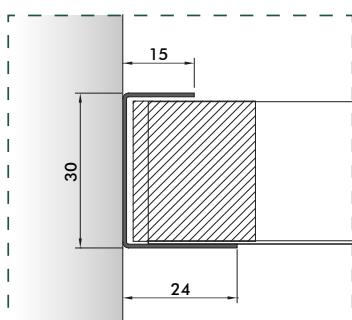
P11/A_L 3050 mm



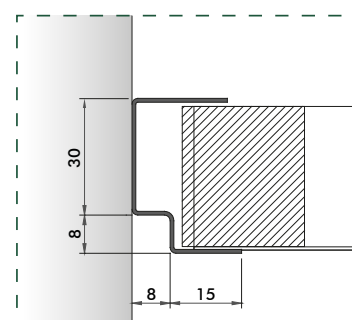
P12_L 3000 mm



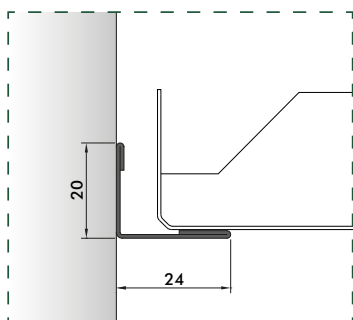
P15/A_L 3000 mm



P10 *_L 3000 mm



P13 *_L 3000 mm

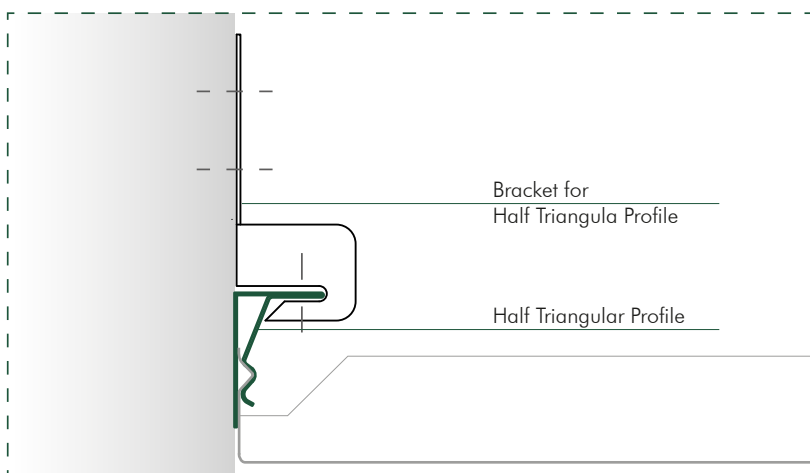


P2_L 3000 mm

Each profile can be achieved with customized section in according to customer's requests.

* Supplied on request with polystyrene to maintain in the form the cut panel (supplied not pre-assembled)

Half Triangular Profile



Half Triangular Profile_L 4000 mm

The Half Triangular Profile allows the realization completely hidden structure metal ceilings. In fact with this particular profile it isn't necessary to use other perimeter profiles.

Performance and technical data



Perforation
type



α_w *



Classe**



Recycled
content (%)***



Reaction to
fire class****



%RH

Perforation type	α_w *	Classe**	Recycled content (%)***	Reaction to fire class****	%RH
Panel not perforated	0,10	NC	<30	A1	95
R0701	0,55	D	<30	A1	95
R1511	0,70	C	<30	A1	95
R211	0,70	C	<30	A1	95
R2516	0,75	C	<30	A1	95
D1522	0,75	C	<30	A1	95
D222	0,70	C	<30	A1	95
Acoustic R1511	1,00	A	≤30	A1	95
Acoustic D1522	1,00	A	≤30	A1	95

* including non-woven fabric (black TNT) certified and hot applied.

** according to EN ISO 11654

*** please note that all aluminum and steel products are 100% recyclable.

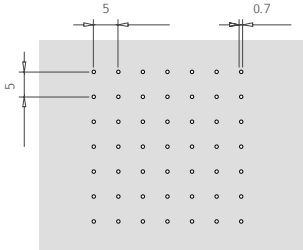
**** Intended use of the product according to EN13964: 2014 / A1: 2006: Components of suspended ceiling membranes for internal use in buildings. System of assessment and verification of constancy of performance of the construction product: SYSTEM 3.

***** for any other technical information, please contact our sales or technical office.

Perforation Options

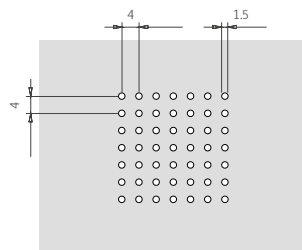
Regular

R0701



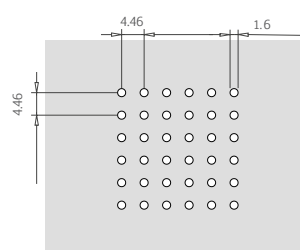
aw 0.55 - EXTRA MICRO PERFORATION
 Diameter : 0.7 mm
 Perforation area : regular central or total
 Inter-axes : 5x5 mm
 Perforation surface : 1.5% approx.

R1511



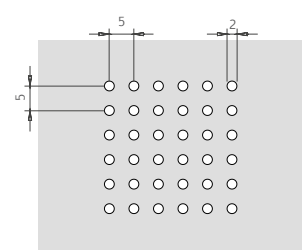
aw 0.70 - MICRO PERFORATION
 Diameter: 1.5 mm
 Perforation area: regular central or total
 Inter-axes: 4x4 mm
 Perforation surface: 11% approx.

R1610



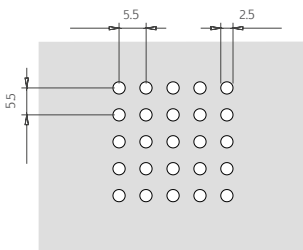
Diameter: 1.6 mm
 Perforation area: regular central or total
 Inter-axes: 4.46x4.46 mm
 Perforation surface: 10% approx.

R211



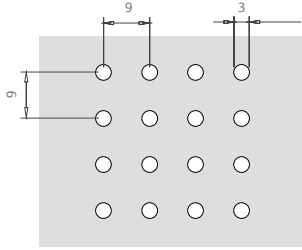
Diameter: 2 mm
 Perforation area: regular central or total
 Inter-axes: 5x5 mm
 Perforation surface: 12% approx.

R2516



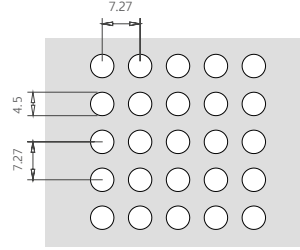
aw 0.70
 Diameter: 2.5 mm
 Perforation area: regular central or total
 Inter-axes: 5.5x5.5 mm
 Perforation surface: 16% approx.

R308



Diameter: 3 mm
 Perforation area: regular central or total
 Inter-axes: 9x9 mm
 Perforation surface: 8% approx.

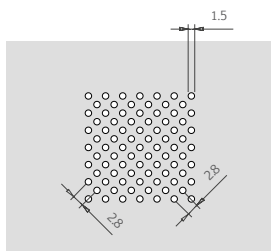
R4530



Diameter: 4.5 mm
 Perforation area: regular central or total
 Inter-axes: 7.27x7.27 mm
 Perforation surface: 30% approx.

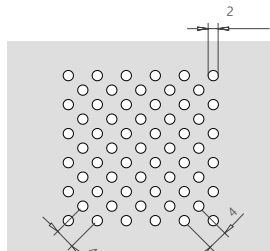
Diagonal

D1522



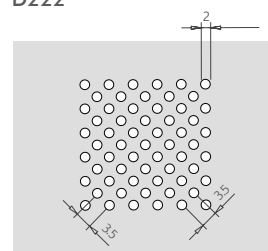
aw 0.75 - MICRO PERFORATION
 Diameter: 1.5 mm
 Perforation area: diagonal central or total
 Inter-axes: 2.8x2.8 mm
 Perforation surface: 22% approx.

D220



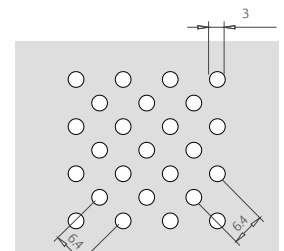
Diameter: 2 mm
 Perforation area: diagonal central or total
 Inter-axes: 4x4 mm
 Perforation surface: 20% approx.

D222



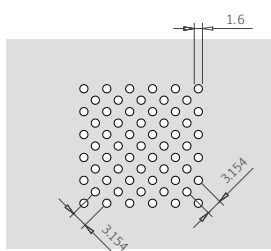
aw 0.70
 Diameter : 2 mm
 Perforation area: diagonal central or total
 Inter-axes : 5x5 mm
 Perforation surface : 22% approx.

D316



aw 0.70
 Diameter: 3 mm
 Perforation area: diagonal central or total
 Inter-axes: 5.5x5.5 mm
 Perforation surface: 16% approx.

D1620

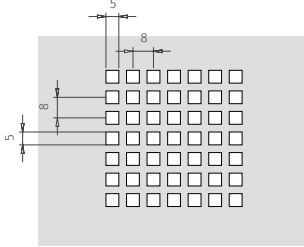


Diameter: 1.6 mm
 Perforation area: regular central or total
 Inter-axes: 9x9 mm

Perforation Options

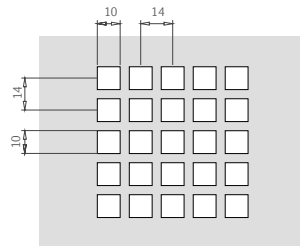
Square

Q540



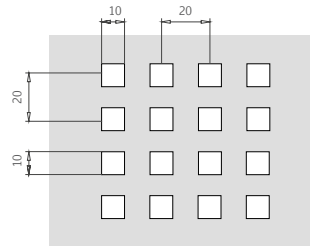
Hole: 5x5 mm
 Perforation area: regular central or total
 Inter-axes: 8x8 mm
 Perforation surface: 40% approx.

Q1045



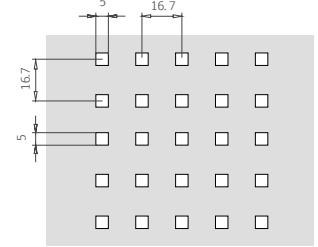
Hole: 10x10 mm
 Perforation area: regular central or total
 Inter-axes: 14x14 mm
 Perforation surface: 45% approx.

Q1020



Hole: 10x10 mm
 Perforation area: regular central or total
 Inter-axes: 20x20 mm
 Perforation surface: 20% approx.

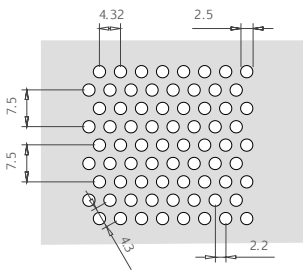
Q509



Hole: 5x5 mm
 Perforation area: regular central or total
 Inter-axes: 16.7x16.7 mm
 Perforation surface: 9% approx..

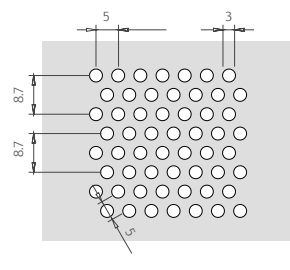
Hexagonal

E2530



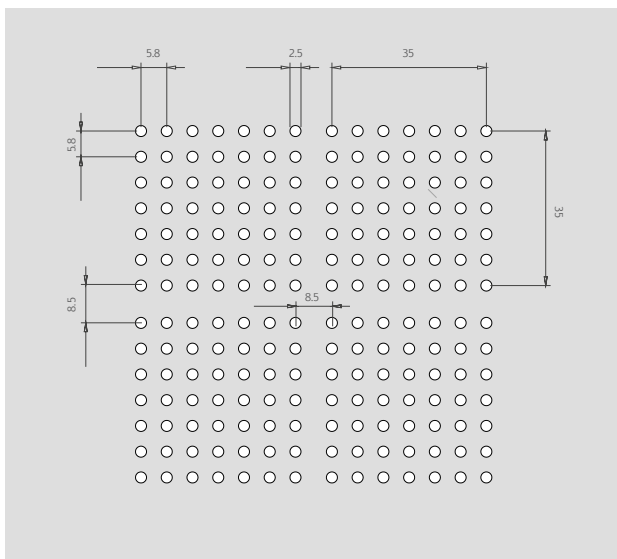
Diameter: 2.5 mm
 Perforation area: diagonal central or total
 Inter-axes: 4.3x7.5 mm
 Perforation surface: 30% approx.

E332



Diameter: 3 mm
 Perforation area: diagonal central or total
 Inter-axes: 5x8.7 mm
 Perforation surface: 32% approx.

04/5,5x5,5



Diameter: 2.5 mm
 Perforation area: regular 35x35 mm
 Inter-axes: 8.5 mm
 Perforation surface: 15% approx.

General informations

Technical Standards

All Profilsystem products are CE marked according to EN 13964. They are also accompanied by the Declaration of Performance (D.O.P.) as required by European regulation 305/11 concerning the placing of construction products on the market.

For applications in particularly aggressive environments such as swimming pools, industrial installations with chemical and / or corrosive fumes, check the most suitable material and surface treatment with the technical or commercial office of Profilsystem.

Storage

All products are carefully packed and placed on special pallets and secured by strapping and film wrapping. On request we can provide the package complete of cardboard corners, bubble wrap and polystyrene to reduce the risks during transport.

It is always recommended to handle all packaging with the most care, avoiding shocks and practices that damage the contents. The packed material is stored in closed, clean and dry places until the time of pic-up.

Do not expose filmed products to heat sources and do not leave them under the sun.

Installation

The metal ceiling are installed manually by the installer depending on the type and model you choose.

The material should be stored in closed, clean and dry places until the time of installation.

Do not rest on the ground and not leave the products on site without the original package issued at the time of delivery.

Avoid the contact between material and water, solvents, degreasers and aggressive liquids.

Cleaning and Maintenance

Metal ceilings, thank to the easy washing and cleaning are also a guarantee in terms of hygiene.

To remove dust, stains or smudges you can use carefully a clean, dry cloth or moistened with neutral detergent, or non-abrasive and non-aggressive disinfectants.



Give life to your project

ITALY

Head quarter & showroom

Via Don Luigi Sturzo,3 - 20822 Seveso (MB) Italy
tel: +39 0362 625652 - fax: +39 0362 306733
www.profilsystem.com

DUBAI

Sales offices & showroom

TOP 27 CONSULTING JLT
Office 3205 - JBC2
Cluster V - JLT
Dubai - United Arab Emirates
middleeast@profilsystem.com

CHILE

Sales offices & showroom

COMERCIAL E.V.A. Limitada
Avenida La Dehesa 1844
Ufficio 714
Lo Barnechea, Santiago de Chile
tel: +59 9 51599037
info@nenzi.cl

SPAIN

Sales offices & showroom

PROFILSYSTEM EPC
Techos de Aluminio S.L.
Avinguda Garraf 15/B
08880 Cubelles, Barcellona
tel: +34 666 431 921
info@profilsystem.es

Our offices are at your disposal

SALES OFFICE ITALY:

Elis Zappino
elis@profilsystem.com
Skype ID [elis.zappino](#)

Dott. Riccardo Ghezzi
riccardo@profilsystem.com
Skype ID [ghezziriccardo](#)

EXPORT OFFICE:

Dott. Alexa Maj
export@profilsystem.com
Skype ID [Alexa Maj](#)

TECHNICAL OFFICE:

Arch. Manuela De Cristofaro
tecnico@profilsystem.com
Skype ID [Manuela De Cristofaro](#)

SHIPPING OFFICE:

Chiara Talon
chiara.talon@profilsystem.com
Skype ID [talon.chiara](#)