



PROFILSYSTEM[®]

Give life to your project

Panel D-Ten



Panel D-Ten



Description

D-Ten is a hidden structure metal ceiling model.

Made with panels mounted on a triangle support structure, this type of panel is perfect for areas where it is necessary to ensure an airtight environment and protection from dust (for example, in sterile hospital rooms, cafeterias, kitchens, etc.).

D-Ten, in fact, is characterized by a special section of the edges that holds a gasket, the element that guarantees protection from dust and ensures airtight.

It can be mounted by applying slight pressure and easily inspected using appropriate spatulas.

Main features

Panel module

-Mod. D-Ten: 600x600 mm

-Coil coated Steel:

RAL 9010, 9003, 9006

-Powder coated Steel:

RAL 9010, 9003, 9006

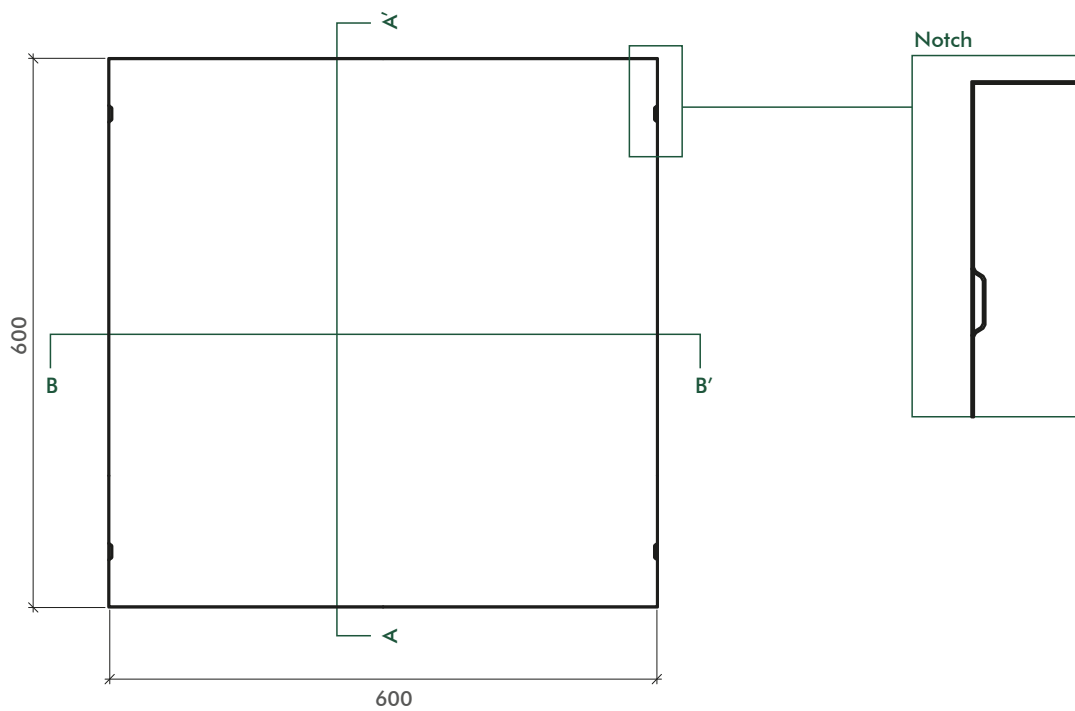
-Coil coated Aluminum:

RAL 9003, 9006

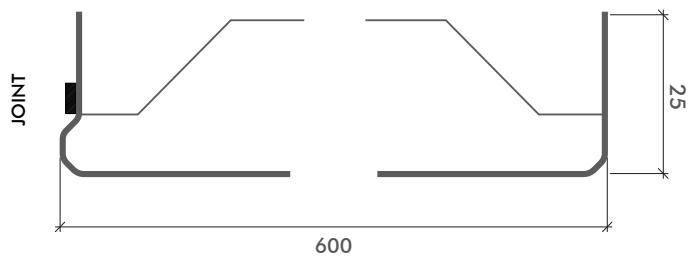
(other RAL colours available on request)

Material and Colour

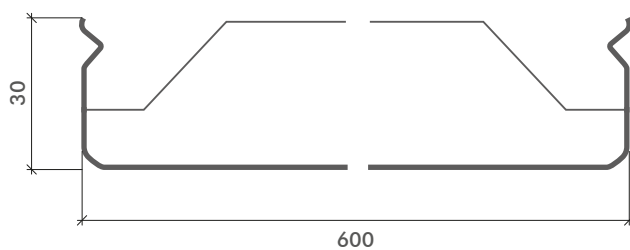
Panel D-Ten



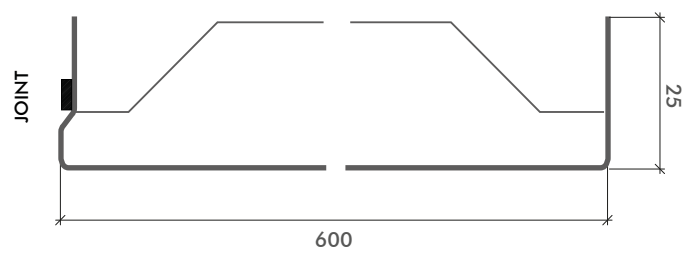
Section A - A' _ Rounded corners



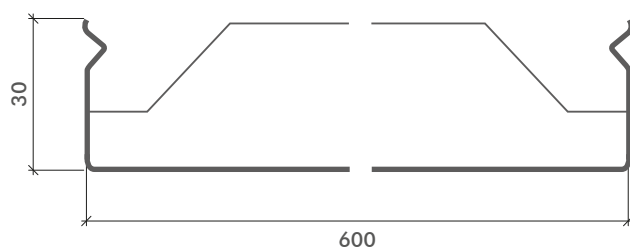
Section B - B' _ Rounded corners



Section A - A' _ 90° bending



Section B - B' _ 90° bending



Simple Structure Suspension

Incidence

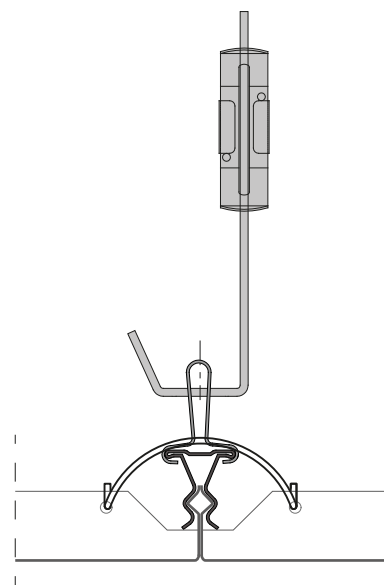
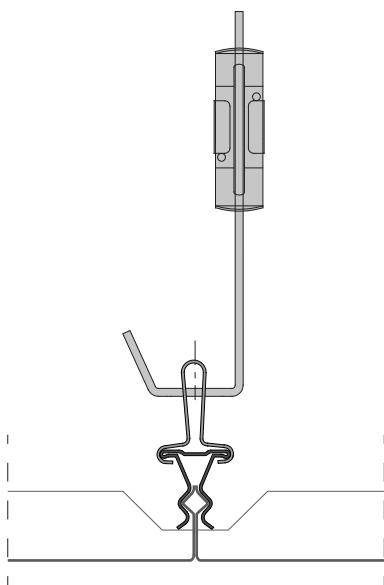
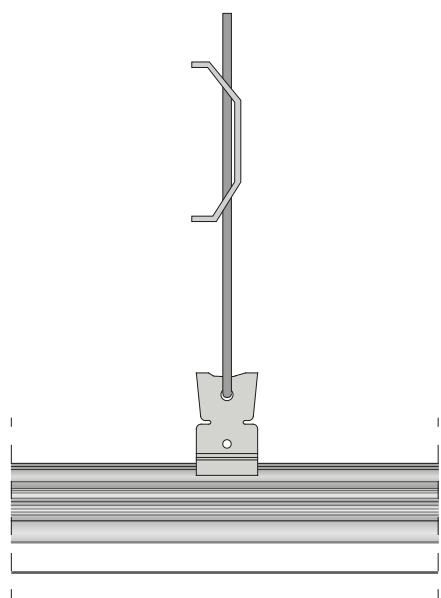
The simple structure suspension system is constituted by: *Triangular Profile*, with particular section, allows the placement of the panel with a simple pressure, and *Clip*, which allows the suspension of the *Triangular Profiles*.

Panels 600x600

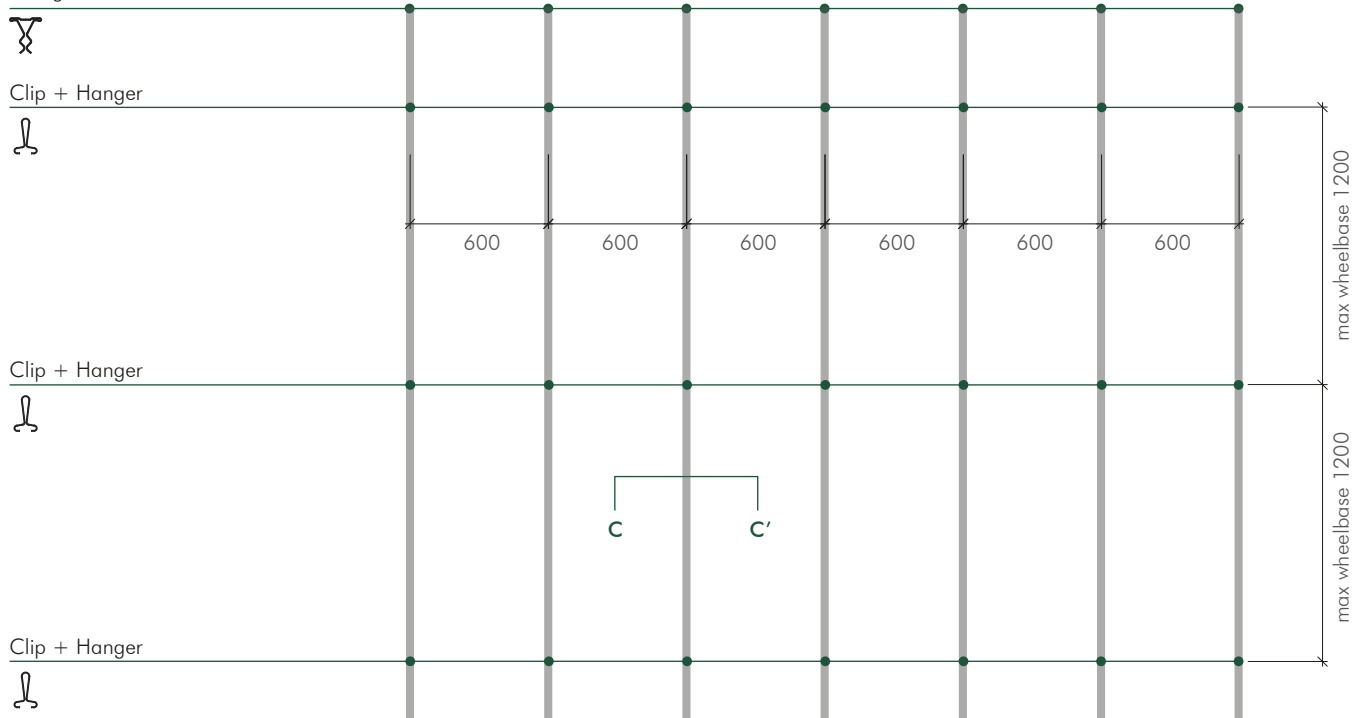
Triangular Profile	1,70 ml/mq
Clip	2,00 pcs/mq
Joint for Triangular Profile	0,4 pcs/mq
Hanger	2,00 pcs/mq

Section C -C'

Section C -C' with anti-release clip



Triangular Profile + Joint



Double Suspension Structure

Incidence

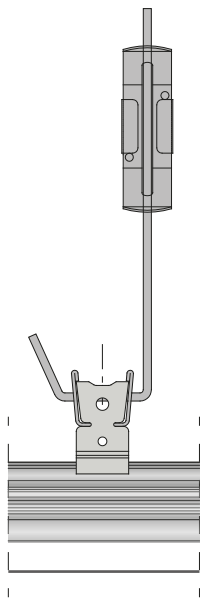
The double structure suspension consists of an orthogonal grid given by the *Triangular Profile*, *Clips*, for suspension, and slotted *U profile*. Clips, which support the *Triangular Profile*, are inserted in slots of the "U".

This type of suspension generates a strong structure and it's recommended for covering large surfaces.

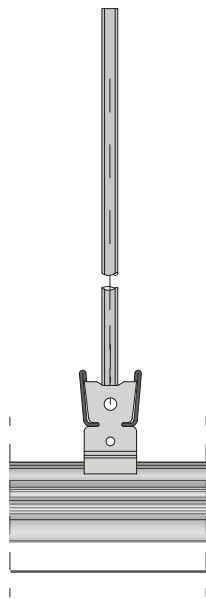
Panels 600x600

U Profile	0,84 ml/mq
Joint for U Profile	1,00 pz/mq
Triangular Profile	1,70 ml/mq
Joint for Triangular Profile	0,4 pz/mq
Clip	2,00 pz/mq
Hanger	1,00 pz/mq

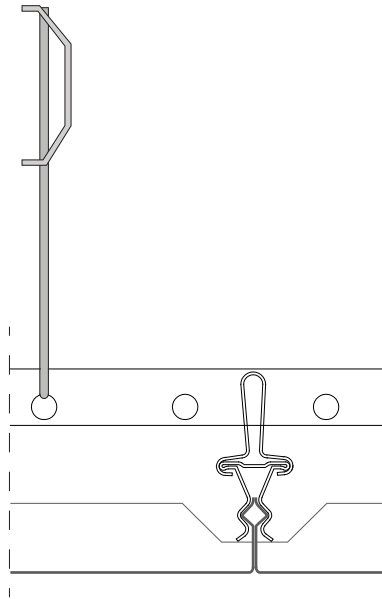
Suspension with hanger



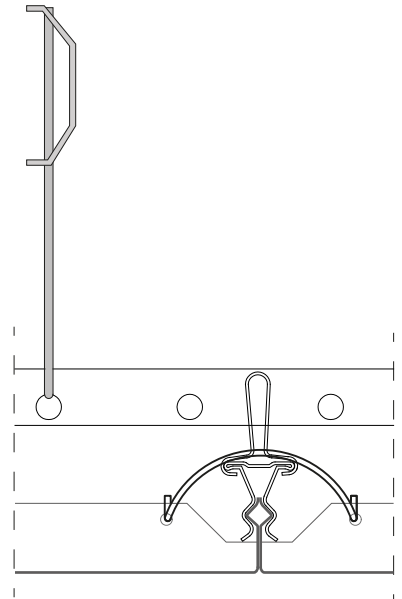
Suspension with threaded bar



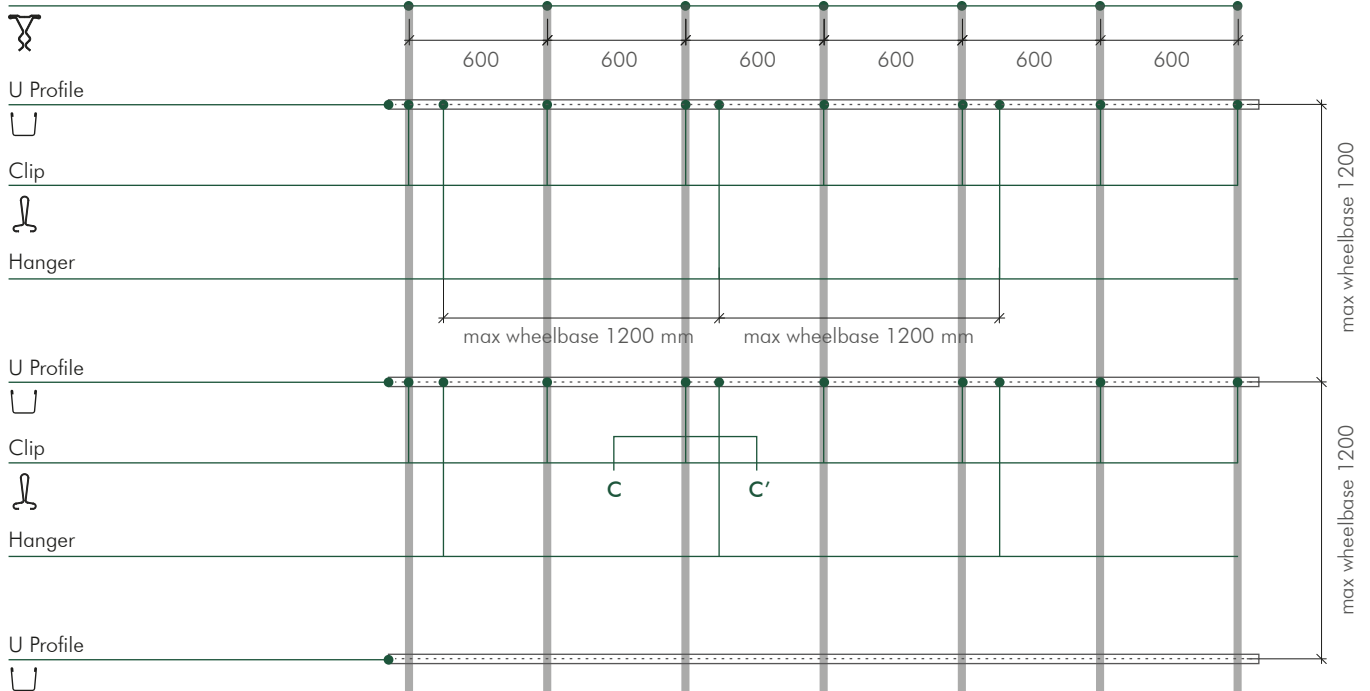
Section C -C'



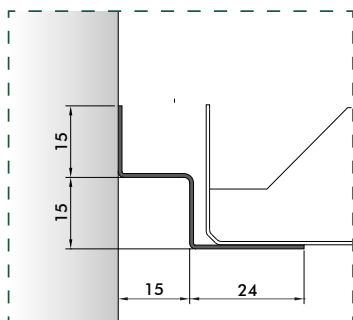
Section C -C' with anti-release clip



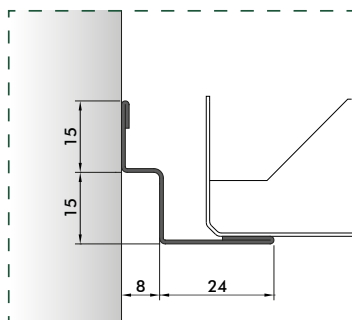
Triangular Profile + Joint



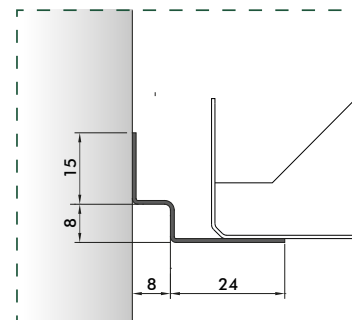
Perimetral's details



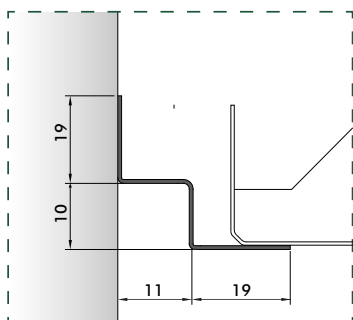
P11_L 3000 mm



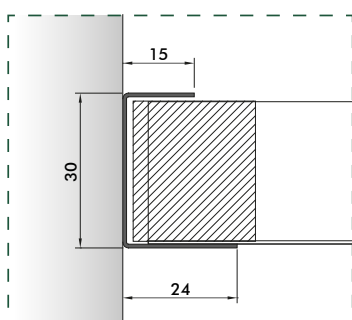
P11/A_L 3050 mm



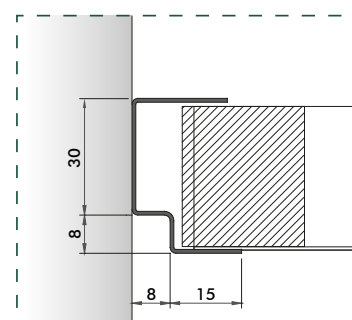
P12_L 3000 mm



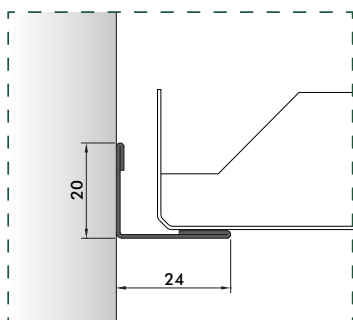
P15/A_L 3000 mm



P10*_L 3000 mm



P13*_L 3000 mm

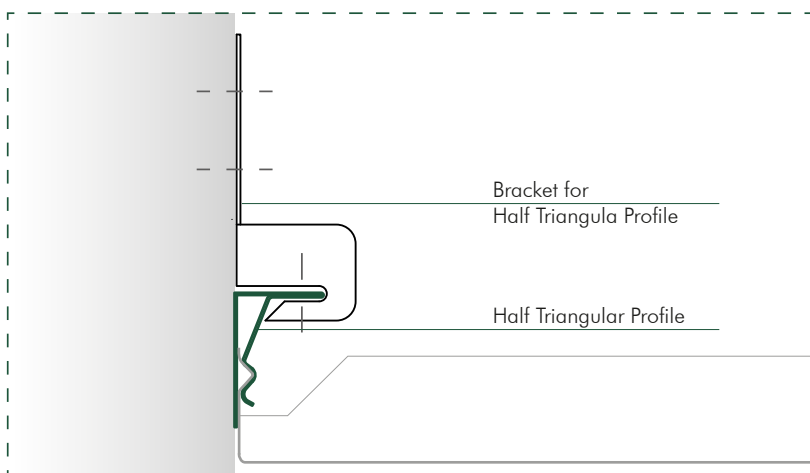


P2_L 3000 mm

Each profile can be achieved with customized section in according to customer's requests.

* Supplied on request with polystyrene to maintain in the form the cut panel (supplied not pre-assembled)

Half Triangular Profile



Half Triangular Profile_L 4000 mm

The Half Triangular Profile allows the realization completely hidden structure metal ceilings. In fact with this particular profile it isn't necessary to use other perimeter profiles.

Performance and technical data



Recycled content (%)*

<30



Reaction to fire class**

A1



%RH

95

<30

A1

95

<30

A1

95

<30

A1

95

<30

A1

95

<30

A1

95

<30

A1

95

* please note that all aluminum and steel products are 100% recyclable.

** Intended use of the product according to EN13964: 2014 / A1: 2006:
Components of suspended ceiling membranes for internal use in buildings. System of assessment and verification of constancy of performance of the construction product: SYSTEM 3.

*** for any other technical information, please contact our sales or technical office.

General informations

Technical Standards

All Profilsystem products are CE marked according to EN 13964. They are also accompanied by the Declaration of Performance (D.O.P.) as required by European regulation 305/11 concerning the placing of construction products on the market.

For applications in particularly aggressive environments such as swimming pools, industrial installations with chemical and / or corrosive fumes, check the most suitable material and surface treatment with the technical or commercial office of Profilsystem.

Storage

All products are carefully packed and placed on special pallets and secured by strapping and film wrapping. On request we can provide the package complete of cardboard corners, bubble wrap and polystyrene to reduce the risks during transport.

It is always recommended to handle all packaging with the most care, avoiding shocks and practices that damage the contents. The packed material is stored in closed, clean and dry places until the time of pic-up.

Do not expose filmed products to heat sources and do not leave them under the sun.

Installation

The metal ceiling are installed manually by the installer depending on the type and model you choose.

The material should be stored in closed, clean and dry places until the time of installation.

Do not rest on the ground and not leave the products on site without the original package issued at the time of delivery.

Avoid the contact between material and water, solvents, degreasers and aggressive liquids.

Cleaning and Maintenance

Metal ceilings, thank to the easy washing and cleaning are also a guarantee in terms of hygiene.

To remove dust, stains or smudges you can use carefully a clean, dry cloth or moistened with neutral detergent, or non-abrasive and non-aggressive disinfectants.



Give life to your project

ITALY

Head quarter & showroom

Via Don Luigi Sturzo,3 - 20822 Seveso (MB) Italy
tel: +39 0362 625652 - fax: +39 0362 306733
www.profilsystem.com

DUBAI

Sales offices & showroom

TOP 27 CONSULTING JLT
Office 3205 - JBC2
Cluster V - JLT
Dubai - United Arab Emirates
middleeast@profilsystem.com

CHILE

Sales offices & showroom

COMERCIAL E.V.A. Limitada
Avenida La Dehesa 1844
Ufficio 714
Lo Barnechea, Santiago de Chile
tel: +59 9 51599037
info@nenzi.cl

SPAIN

Sales offices & showroom

PROFILSYSTEM EPC
Techos de Aluminio S.L.
Avinguda Garraf 15/B
08880 Cubelles, Barcellona
tel: +34 666 431 921
info@profilsystem.es

Our offices are at your disposal

SALES OFFICE ITALY:

Elis Zappino
elis@profilsystem.com
Skype ID [elis.zappino](#)

Dott. Riccardo Ghezzi
riccardo@profilsystem.com
Skype ID [ghezziriccardo](#)

EXPORT OFFICE:

Dott. Alexa Maj
export@profilsystem.com
Skype ID [Alexa Maj](#)

TECHNICAL OFFICE:

Arch. Manuela De Cristofaro
tecnico@profilsystem.com
Skype ID [Manuela De Cristofaro](#)

SHIPPING OFFICE:

Chiara Talon
chiara.talon@profilsystem.com
Skype ID [talon.chiara](#)