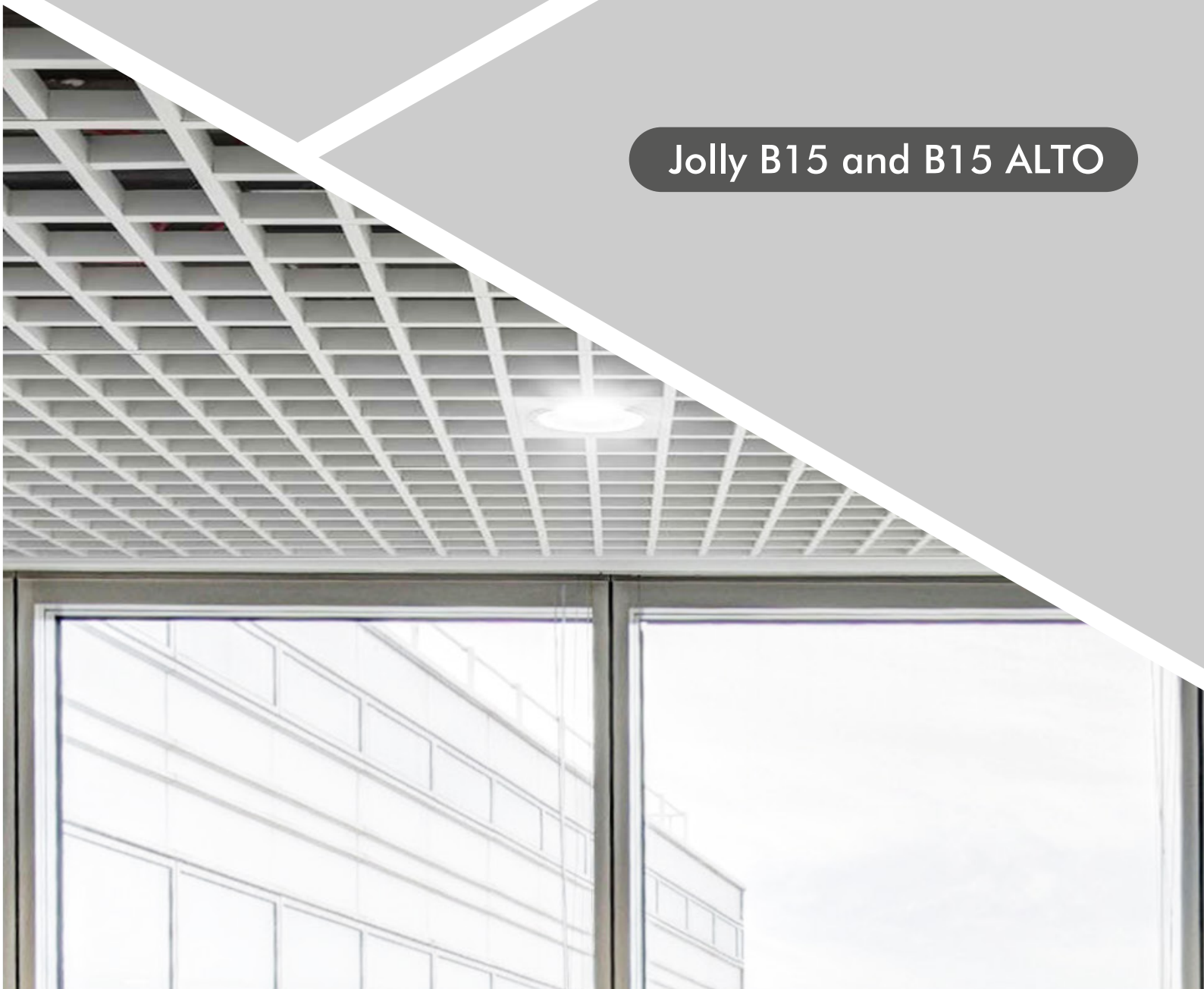




*Give life to your project*

**Jolly B15 and B15 ALTO**



## Jolly B15 and B15 ALTO



### Description

Jolly B15 and B15 ALTO are modular metal ceilings with square or rectangular cells.

Jolly B15 models provide a particular sense of modularity given by the supporting structure of the system.

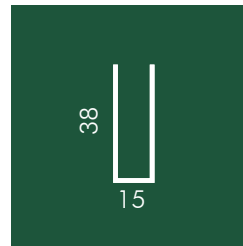
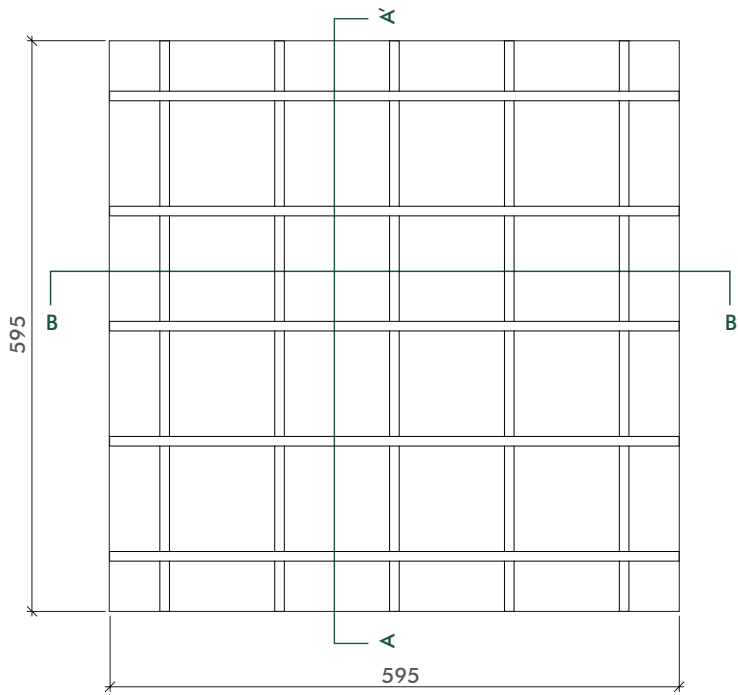
In fact they can be mounted on T15 or T24 structure. Choosing the T15 structure the result is a grid with a continuous pattern. In other case, choosing the T24 structure you will get a model similar to a grid that contains grid panels.

Jolly B15 is also available in the ALTO version with 58 mm high edges that allow the storage of mattress or other insulating materials.

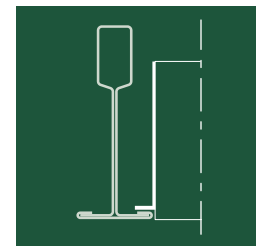
### Main features

<b>Panel module</b>	-Mod. Jolly B15 e B15 ALTO: 595x595 mm	
<b>Mesh</b>	50 x 50 mm	100 x 100 mm
	60 x 60 mm	120 x 120 mm
	75 x 75 mm	150 x 150 mm
	86 x 86 mm	200 x 200 mm
<b>Material e Colour</b>	-Alluminio preverniciato: RAL 9003, 9006 (custom RAL su richiesta)	
<b>Acoustic absorption</b>	Black TNT	

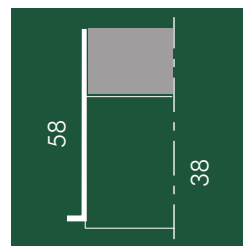
**Jolly B15 and B15 ALTO** **Section** **Structure**



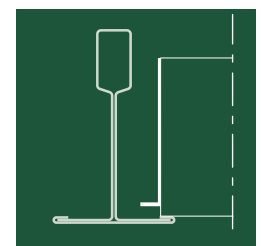
B15



T15



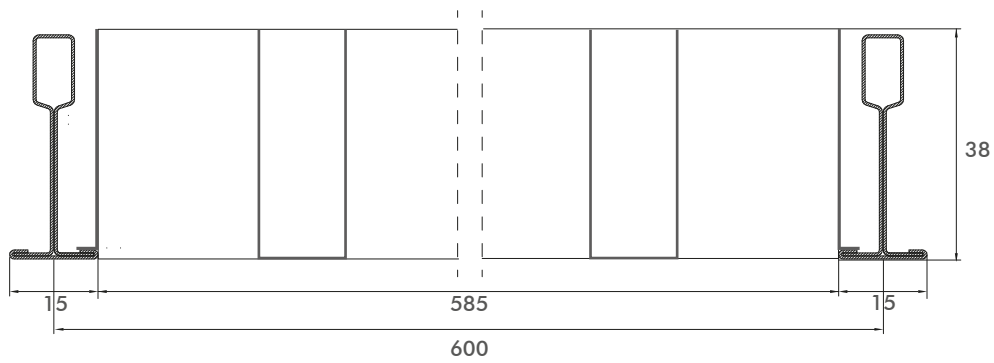
B15 ALTO



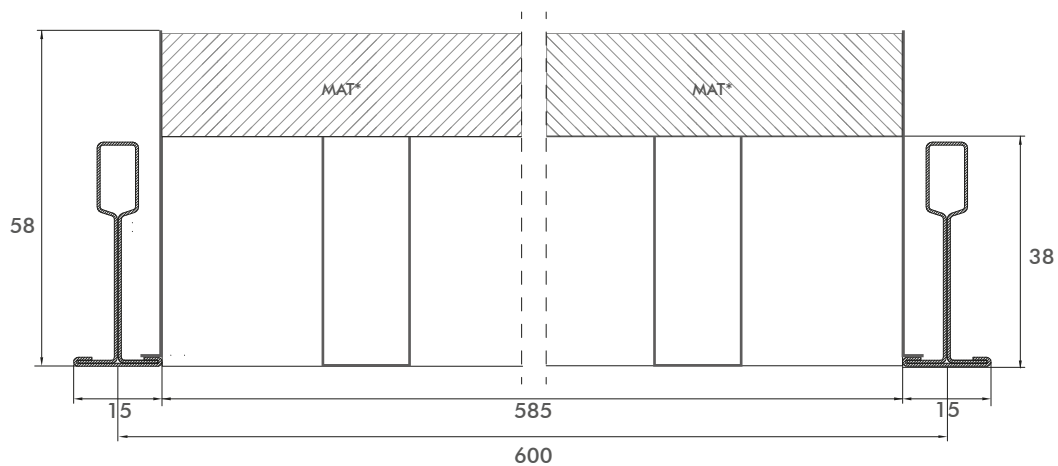
T24

\*Supplied in single parts;  
(pre-assembled modules can be supplied on request)

**Section Jolly B15**

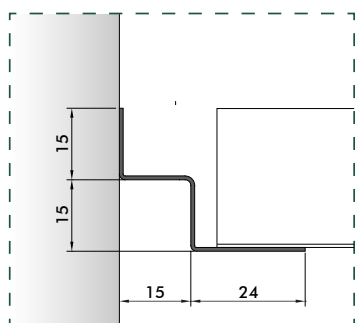


**Section Jolly B15 ALTO**

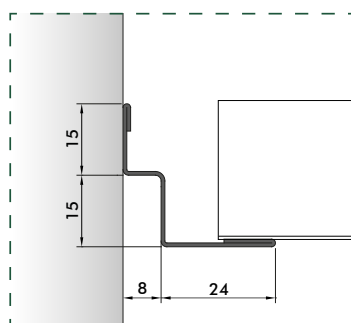


All dimensions are nominal and expressed in mm.  
All details are subject to change without notice.  
For any clarifications, please contact our commercial office - +39 0362 625652 - info@profilsystem.com

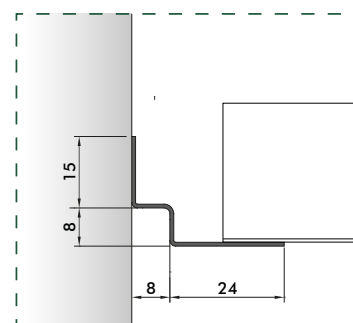
### Perimetral's details



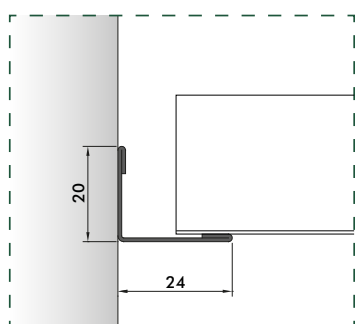
P11\_L 3000 mm



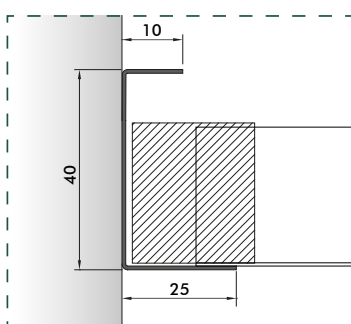
P11/A\_L 3050 mm



P12\_L 3000 mm



P2\_L 3000 mm



P4 \*\_L 3000 mm

Each profile can be achieved with customized section in according to customer's requests.

\* Supplied on request with polystyrene to maintain in the form the cut panel (supplied not pre-assembled)

### Performance and technical data



Recycled content (%)\*

<30



Reaction to fire class\*\*

A1



%RH

95

<30	A1	95
<30	A1	95
<30	A1	95
<30	A1	95
<30	A1	95
<30	A1	95
<30	A1	95

\* please note that all aluminum and steel products are 100% recyclable.

\*\* Intended use of the product according to EN13964: 2014 / A1: 2006:

Components of suspended ceiling membranes for internal use in buildings. System of assessment and verification of constancy of performance of the construction product: SYSTEM 3.

\*\*\* for any other technical information, please contact our sales or technical office.

## General informations

### Technical Standards

All Profilsystem products are CE marked according to EN 13964. They are also accompanied by the Declaration of Performance (D.O.P.) as required by European regulation 305/11 concerning the placing of construction products on the market.

For applications in particularly aggressive environments such as swimming pools, industrial installations with chemical and / or corrosive fumes, check the most suitable material and surface treatment with the technical or commercial office of Profilsystem.

### Storage

All products are carefully packed and placed on special pallets and secured by strapping and film wrapping. On request we can provide the package complete of cardboard corners, bubble wrap and polystyrene to reduce the risks during transport.

It is always recommended to handle all packaging with the most care, avoiding shocks and practices that damage the contents. The packed material is stored in closed, clean and dry places until the time of pic-up.

Do not expose filmed products to heat sources and do not leave them under the sun.

### Installation

The metal ceiling are installed manually by the installer depending on the type and model you choose.

The material should be stored in closed, clean and dry places until the time of installation.

Do not rest on the ground and not leave the products on site without the original package issued at the time of delivery.

Avoid the contact between material and water, solvents, degreasers and aggressive liquids.

### Cleaning and Maintenance

Metal ceilings, thank to the easy washing and cleaning are also a guarantee in terms of hygiene.

To remove dust, stains or smudges you can use carefully a clean, dry cloth or moistened with neutral detergent, or non-abrasive and non-aggressive disinfectants.



Give life to your project

## ITALY

### Head quarter & showroom

Via Don Luigi Sturzo,3 - 20822 Seveso (MB) Italy  
tel: +39 0362 625652 - fax: +39 0362 306733  
[www.profilsystem.com](http://www.profilsystem.com)

## DUBAI

### Sales offices & showroom

TOP 27 CONSULTING JLT  
Office 3205 - JBC2  
Cluster V - JLT  
Dubai - United Arab Emirates  
[middleeast@profilsystem.com](mailto:middleeast@profilsystem.com)

## CHILE

### Sales offices & showroom

COMERCIAL E.V.A. Limitada  
Avenida La Dehesa 1844  
Ufficio 714  
Lo Barnechea, Santiago de Chile  
tel: +59 9 51599037  
[info@nenzi.cl](mailto:info@nenzi.cl)

## SPAIN

### Sales offices & showroom

PROFILSYSTEM EPC  
Techos de Aluminio  
C/ Lluís Companys, 52  
08810 Sant Pere de Ribes, Barcelona  
tel: +34 666 431 921  
[info@profilsystem.es](mailto:info@profilsystem.es)

## Our offices are at your disposal

### SALES OFFICE ITALY:

Elis Zappino  
[elis@profilsystem.com](mailto:elis@profilsystem.com)  
Skype ID [elis.zappino](#)

Dott. Riccardo Ghezzi  
[riccardo@profilsystem.com](mailto:riccardo@profilsystem.com)  
Skype ID [ghezziriccardo](#)

### EXPORT OFFICE:

Dott. Alexa Maj  
[export@profilsystem.com](mailto:export@profilsystem.com)  
Skype ID [Alexa Maj](#)

### TECHNICAL OFFICE:

Arch. Manuela De Cristofaro  
[tecnico@profilsystem.com](mailto:tecnico@profilsystem.com)  
Skype ID [Manuela De Cristofaro](#)

### SHIPPING OFFICE:

Chiara Talon  
[chiara.talon@profilsystem.com](mailto:chiara.talon@profilsystem.com)  
Skype ID [talon.chiara](#)